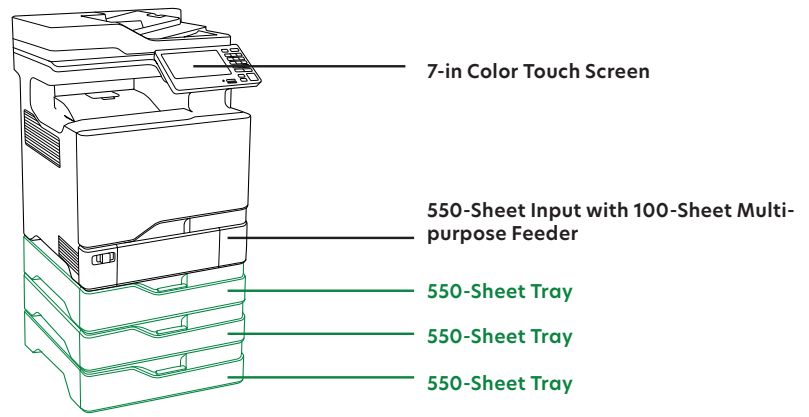
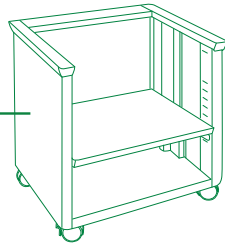


# Lexmark XC4150

Adjustable  
Printer Stand

■ Standard  
■ Optional



Product specifications	Lexmark XC4150
<b>Printing</b>	
Display	Lexmark e-Task 7-inch (17.8 cm) color touch screen
Print Speed: Up to <sup>3</sup>	Black: 50 ppm / Color: 50 ppm
Time to First Page: As fast as	Black: 5.0 seconds / Color: 5.5 seconds
Print Resolution	Black: 4800 Color Quality (2400 x 600 dpi), 1200 x 1200 dpi / Color: 4800 Color Quality (2400 x 600 dpi), 1200 x 1200 dpi
Memory	Standard: 2048 MB / Maximum: 4096 MB
Hard Disk	Included in configuration
Recommended Monthly Page Volume <sup>7</sup>	2000 - 20000 pages
Maximum Monthly Duty Cycle: Up to <sup>5</sup>	150000 pages per month
<b>Copying</b>	
Copy Speed: Up to <sup>3</sup>	Black: 50 cpm / Color: 50 cpm
Time to First Copy: As fast as	Black: 6.5 seconds / Color: 7.0 seconds
<b>Scanning</b>	
Scanner Type / ADF Scan	Flatbed scanner with ADF / RADF (Reversing Duplex)
A4/Ltr Duplex Scan Speed: Up to	Black: 26 / 28 sides per minute / Color: 26 / 28 sides per minute
A4/Ltr Simplex Scan Speed: Up to	Black: 56 / 60 sides per minute / Color: 56 / 60 sides per minute
<b>Faxing</b>	
Modem Speed	ITU T.30, V.34 Half-Duplex, 33.6 Kbps
<b>Supplies<sup>2</sup></b>	
Laser Cartridge Yields (up to) <sup>1</sup>	13,000-page Color (CMY) High Yield Cartridges, 20,000-page Black High Yield Cartridge
Imaging Unit Estimated Yield: Up to <sup>4</sup>	150000 pages, based on 3 average letter/A4-size pages per print job and ~ 5% coverage
Cartridge(s) Shipping with Product <sup>8</sup>	7,000-page Black and Color (CMYK) Return Program Toner Cartridges
<b>Paper Handling</b>	
Included Paper Handling	300-Sheet Output Bin, Integrated Duplex, 100-Sheet Multipurpose Feeder, 550-Sheet Input
Optional Paper Handling	550-Sheet Tray
Paper Input Capacity: Up to	Standard: 650 pages 20 lb or 75 gsm bond / Maximum: 2300 pages 20 lb or 75 gsm bond
Paper Output Capacity: Up to	Standard: 300 pages 20 lb or 75 gsm bond / Maximum: 300 pages 20 lb or 75 gsm bond
Media Types Supported	Banner Paper, Refer to the Card Stock & Label Guide., Vinyl Labels, Plain Paper, Paper Labels, Envelopes, Card Stock
Media Sizes Supported	A6, Oficio, Universal, Statement, Letter, Legal, JIS-B5, Folio, Executive, DL Envelope, C5 Envelope, B5 Envelope, A5, A4, 9 Envelope, 7 3/4 Envelope, 10 Envelope
<b>General Information<sup>6</sup></b>	
Standard Ports	Rear Hi-Speed USB Port Compatible with USB 2.0 Specification (Type A), Front USB 2.0 Specification Hi-Speed Certified port (Type A), Gigabit Ethernet (10/100/1000), USB 2.0 Specification Hi-Speed Certified (Type B), One Internal Card Slot
Optional Network Ports	Internal MarkNet N8360 802.11b/g/n Wireless, NFC
Noise Level: Operating	Print: 53 dBA / Copy: 56 dBA / Scan: 53 dBA
Specified Operating Environment	Altitude: 0 - 2896 Meters (9,500 Feet), Temperature: 10 to 32°C (50 to 90°F), Humidity: 8 to 80% Relative Humidity
Size (in. - H x W x D) / Weight (lb.)	25.5 x 19.9 x 21 in. / 99 lb.

<sup>1</sup>Yield at approximately 5% print coverage per color. <sup>2</sup>Product functions only with replacement cartridges designed for use in a specific geographical region. See [www.lexmark.com/regions](http://www.lexmark.com/regions) for more details. <sup>3</sup>Print and copy speeds measured in accordance with ISO/IEC 24734 and ISO/IEC 24735 respectively (ESAT). For more information see: [www.lexmark.com/ISOspeeds](http://www.lexmark.com/ISOspeeds). <sup>4</sup>Actual Yield may vary based on other factors such as device speed, paper size and feed orientation, toner coverage, tray source, percentage of black-only printing and average print job complexity. <sup>5</sup>"Maximum Monthly Duty Cycle" is defined as the maximum number of pages a device could deliver in a month using a multishift operation. This metric provides a comparison of robustness in relation to other Lexmark printers and MFPs. <sup>6</sup>Printers are sold subject to certain license/agreement conditions. See [www.lexmark.com/printerlicense](http://www.lexmark.com/printerlicense) for details. <sup>7</sup>"Recommended Monthly Page Volume" is a range of pages that helps customers evaluate Lexmark's product offerings based on the average number of pages customers plan to print on the device each month. Lexmark recommends that the number of pages per month be within the stated range for optimum device performance, based on factors including: supplies replacement intervals, paper loading intervals, speed, and typical customer usage. <sup>8</sup> Average continuous black or continuous composite CMY declared cartridge yield up to this number of standard pages in accordance with ISO/IEC 19798.