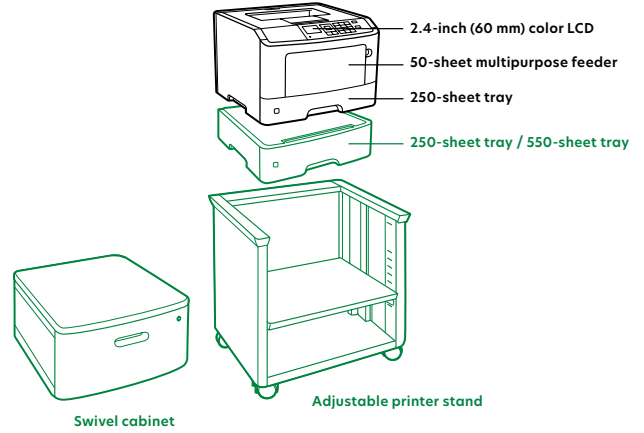
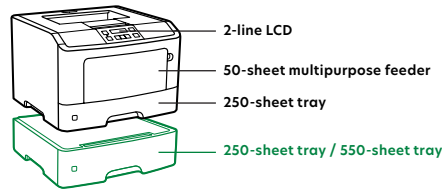


## MS310/MS410 Series printer features

Standard  
 Optional



Product specifications	Lexmark MS312dn	Lexmark MS315dn	Lexmark MS415dn
<b>Printing</b>			
Display	2-line All Points Addressable (APA) monochrome LCD display	2.4-inch (60 mm) Color LCD display	
Print Speed: Up to <sup>3</sup>	Black: 35 ppm	Black: 37 ppm	Black: 40 ppm
Time to First Page: As fast as	Black: 6.5 seconds		
Print Resolution	Black: 1200 Image Quality, 1200 x 1200 dpi, 2400 Image Quality, 600 x 600 dpi		
Memory / Processor	Standard: 128 MB / Maximum: 128 MB / Dual Core, 800 MHz	Standard: 256 MB / Maximum: 256 MB / Dual Core, 800 MHz	
Hard Disk	Not Available		
Recommended Monthly Page Volume <sup>7</sup>	500 - 2500 pages	500 - 4000 pages	750 - 7200 pages
Maximum Monthly Duty Cycle: Up to <sup>5</sup>	50000 pages per month	60000 pages per month	100000 pages per month
<b>Supplies<sup>2</sup></b>			
Laser Cartridge Yields (up to) <sup>1</sup>	1,500-page Cartridge, 5,000-page Black High Yield Cartridge		1,500-page Cartridge, 5,000-page Black High Yield Cartridge, 10,000-page Extra High Yield Cartridge
Imaging Unit Estimated Yield: Up to <sup>4</sup>	60000 pages, based on 3 average letter/A4-size pages per print job and ~ 5% coverage		
Cartridge(s) Shipping with Product <sup>1</sup>	1,500-page Return Program Toner Cartridge	3,000-page starter Return Program Toner Cartridge	
<b>Paper Handling</b>			
Included Paper Handling	250-Sheet Input, 50-Sheet Multipurpose Feeder, 150-Sheet Output Bin, Integrated Duplex		
Optional Paper Handling	250-Sheet Tray, 550-Sheet Tray, 550-Sheet Lockable Tray		
Paper Input Capacity: Up to	Standard: 300 pages 20 lb or 75 gsm bond / Maximum: 850 pages 20 lb or 75 gsm bond		
Paper Output Capacity: Up to	Standard: 150 pages 20 lb or 75 gsm bond / Maximum: 150 pages 20 lb or 75 gsm bond		
Media Types Supported	Card Stock, Envelopes, Paper Labels, Plain Paper, Transparencies, Refer to the Card Stock & Label Guide.		
Media Sizes Supported	10 Envelope, 7 3/4 Envelope, 9 Envelope, A4, A5, DL Envelope, Executive, Folio, JIS-B5, Legal, Letter, Statement, Universal, Oficio, A6		
<b>General Information<sup>6</sup></b>			
Standard Ports	Centronics IEEE 1284 Bidirectional Parallel, USB 2.0 Specification Hi-Speed Certified (Type B), Ethernet 10/100BaseTX (RJ-45), also works with 1000Base-T	Centronics IEEE 1284 Bidirectional Parallel, USB 2.0 Specification Hi-Speed Certified (Type B), Gigabit Ethernet (10/100/1000)	
Optional Network Ports	External MarkNet N7020e Gigabit Ethernet, MarkNet N8352 802.11b/g/n Wireless	MarkNet N8352 802.11b/g/n Wireless	
Noise Level: Operating	Print: 53 dBA		Print: 54 dBA
Specified Operating Environment	Temperature: 16 to 32°C (60 to 90°F), Humidity: 8 to 80% Relative Humidity, Altitude: 0 - 2896 Meters (9,500 Feet)		
Limited Warranty - See Statement of Limited Warranty	1-Year Exchange Service		
Size (in. - H x W x D) / Weight (lb.)	10.3 x 15.7 x 15.0 in. / 30.9 lb.		10.3 x 15.7 x 15.0 in. / 31.2 lb.

<sup>1</sup>Average standard page yield value declared in accordance with ISO/IEC 19752. <sup>2</sup>Product functions only with replacement cartridges designed for use in a specific geographical region. See [www.lexmark.com/regions](http://www.lexmark.com/regions) for more details. <sup>3</sup>Print and copy speeds measured in accordance with ISO/IEC 24734 and ISO/IEC 24735 respectively (ESAT). For more information see: [www.lexmark.com/ISOspeeds](http://www.lexmark.com/ISOspeeds). <sup>4</sup>Actual Yield may vary based on other factors such as device speed, paper size and feed orientation, toner coverage, tray source, percentage of black-only printing and average print job complexity. <sup>5</sup>"Maximum Monthly Duty Cycle" is defined as the maximum number of pages a device could deliver in a month using a multishift operation. This metric provides a comparison of robustness in relation to other Lexmark printers and MFPs. <sup>6</sup>Printers are sold subject to certain license/agreement conditions. See [www.lexmark.com/printerlicense](http://www.lexmark.com/printerlicense) for details. <sup>7</sup>Recommended Monthly Page Volume" is a range of pages that helps customers evaluate Lexmark's product offerings based on the average number of pages customers plan to print on the device each month. Lexmark recommends that the number of pages per month be within the stated range for optimum device performance, based on factors including: supplies replacement intervals, paper loading intervals, speed, and typical customer usage.