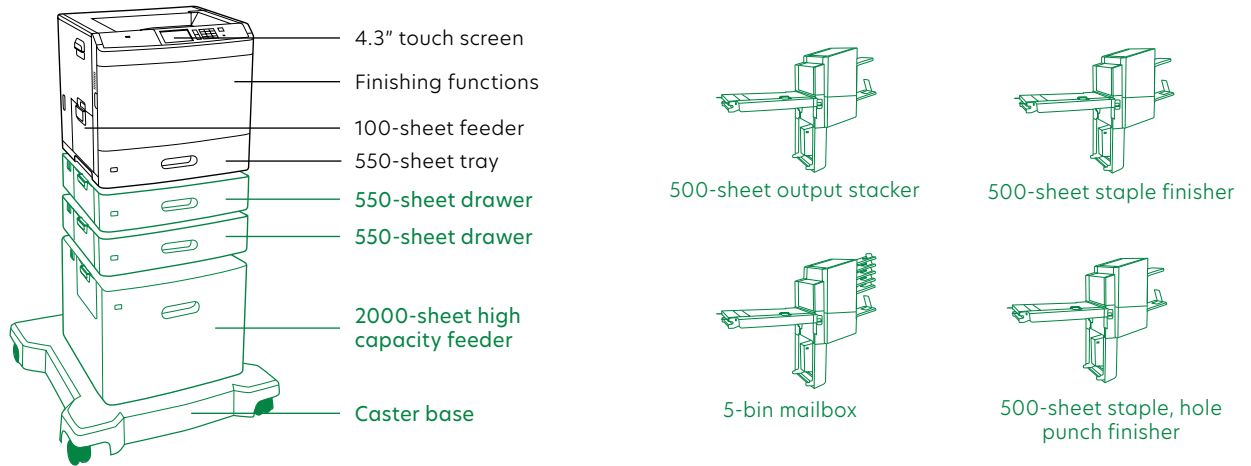


## Color single function products



Product specifications	Lexmark C792e	Lexmark C792de	Lexmark C792dte	Lexmark C792dhe
<b>Printing</b>				
Display	Lexmark e-Task 4.3-inch color touch screen			
Print Speed: Up to	Black: 50 ppm / Color: 50 ppm			
Time to First Page: As fast as	Black: 8 seconds / Color: 8.5 seconds			
Print Resolution	Black: 4800 Color Quality (2400 x 600 dpi), 1200 x 1200 dpi / Color: 4800 Color Quality (2400 x 600 dpi), 1200 x 1200 dpi			
Memory	Standard: 512 MB / Maximum: 1536 MB			Standard: 1024 MB / Maximum: 1536 MB
Hard Disk	Option available			Included in configuration
Recommended Monthly Page Volume <sup>2</sup>	2500 - 25000 pages			
Maximum Monthly Duty Cycle: Up to <sup>1</sup>	150000 pages per month			
<b>Supplies</b>				
Cartridge(s) Shipping with Product	11,000-page color (CMY) Starter Return Program Print Cartridges, 8,500-page Black Starter Return Program Print Cartridge			
<b>Paper Handling</b>				
Paper Input Capacity: Up to	Standard: 650 pages 20 lb or 75 gsm bond / Maximum: 3200 pages 20 lb or 75 gsm bond	Standard: 1200 pages 20 lb or 75 gsm bond / Maximum: 3200 pages 20 lb or 75 gsm bond	Standard: 2300 pages 20 lb or 75 gsm bond / Maximum: 2300 pages 20 lb or 75 gsm bond	Standard: 2300 pages 20 lb or 75 gsm bond / Maximum: 2300 pages 20 lb or 75 gsm bond
Paper Output Capacity: Up to	Standard: 500 pages 20 lb or 75 gsm bond / Maximum: 1000 pages 20 lb or 75 gsm bond			
Media Types Supported	Banner Paper, Outdoor Media, Refer to the Card Stock & Label Guide., Vinyl Labels, Transparencies, Polyester Labels, Plain Paper, Paper Labels, Integrated Labels, Glossy Paper, Envelopes, Dual Web Labels, Card Stock			
Media Sizes Supported	Universal, Statement, Letter, Legal, JIS-B5, Folio, Executive, DL Envelope, C5 Envelope, B5 Envelope, A5, A4, 9 Envelope, 7 3/4 Envelope, 10 Envelope			
<b>General Information</b>				
Standard Ports	Ethernet 10/100/1000 BaseTX (RJ-45), Rear USB 2.0 Specification Hi-Speed Certified Port (Type A), Front USB 2.0 Specification Hi-Speed Certified port (Type A), USB 2.0 Specification Hi-Speed Certified (Type B)			
Optional Network Ports / Optional Local Ports	Internal MarkNet™ N8250 802.11b/g/n Wireless, Internal MarkNet™ N8130 Fiber Fast Ethernet, Internal MarkNet™ N8120 Gigabit Ethernet, External MarkNet N7020e Gigabit Ethernet / Internal 1284-B Bidirectional Parallel, Internal RS-232C serial			
Noise Level: Operating	Print: 52 dBA			
Specified Operating Environment	Altitude: 0 - 3048 Meters (10,000 Feet), Humidity: 8 to 80% Relative Humidity, Temperature: 16 to 32°C (60 to 90°F)			
Limited Warranty - See Statement of Limited Warranty	1-Year Onsite Service, Next Business Day			
Size (in. - H x W x D) / Weight (lb.)	20.3 x 22.3 x 20.2 in. / 110 lb.	25.5 x 22.3 x 20.2 in. / 131 lb.	40.5 x 26.1 x 25.9 in. / 231 lb.	40.5 x 26.1 x 25.9 in. / 231 lb.

<sup>1</sup>"Maximum Monthly Duty Cycle" is defined as the maximum number of pages a device could deliver in a month using a multishift operation. This metric provides a comparison of robustness in relation to other Lexmark printers and MFPS. <sup>2</sup>"Recommended Monthly Page Volume" is a range of pages that helps customers evaluate Lexmark's product offerings based on the average number of pages customers plan to print on the device each month. Lexmark recommends that the number of pages per month be within the stated range for optimum device performance, based on factors including: supplies replacement intervals, paper loading intervals, speed, and typical customer usage.

**This is a Class A device according to the FCC Rules and international electromagnetic emissions standards. This device is not intended for use in residential or domestic environments due to potential interference to radio communications.**

© 2015 Lexmark and the Lexmark logo are trademarks of Lexmark International, Inc., registered in the United States and/or other countries. All other trademarks are the property of their respective owners. ENERGY STAR® is a U.S. registered mark.

AirPrint and the AirPrint logo are trademarks of Apple Inc.

