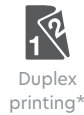




Lexmark C792 Series

The Lexmark C792 Series color laser printers combine robust design with brilliant color printing, exceptional media handling, flexible finishing options and an intuitive color touch screen.



Robust color printing

Designed for medium to large workgroups, the Lexmark C792 Series meets the demands of your busy color-printing environment. Vibrant, professional-quality output and the ability to print on a wide variety of media allow you to do more color printing in-house. With the advanced color laser technology of the C792 Series, you'll get excellent, consistent color from the first page to the last.

- ▶ Lexmark Extra High Yield Print Cartridge available, offering yields of up to 20,000* pages
- ▶ Print and duplex** speeds as fast as 50 ppm in both Black and color

- ▶ Match brand sensitive corporate colors on marketing collateral and within Microsoft Office with Lexmark Named Color Replacement and PANTONE® calibration
- ▶ Lexmark Color Care Technology to manage color usage and control costs
- ▶ Instant warm-up fuser to help reduce energy consumption and improve time to first page

Flexibility

Choose from a variety of models to best serve your needs. Select from a number of expandability options and finishing features you would expect from more expensive products.

- ▶ Ultra-reliable paper feeding to support diverse media, including card stock, labels, UV-resistant outdoor media, banner media and more
- ▶ Robust output options, including a five-bin assignable mailbox, an offset stacker, a staple finisher, and a staple with hole punch finisher
- ▶ Input capacity expandable to up to 3,200 sheets with the high-capacity feeder and an extra drawer
- ▶ Connectivity and application solution cards allow integration into most IT environments

* Average continuous Black or composite CMY declared cartridge yield in accordance with ISO/IEC 19798.

Easy and intuitive

The Lexmark C792 Series is designed for easy operation and maintenance.

- ▶ 4.3-inch color touch screen provides audible feedback to make completing tasks intuitive
- ▶ Print Preview features help you select documents or specific pages within a document
- ▶ Directional lights on the device provide visual cues to guide you through tasks and maintenance operations
- ▶ Ability to change settings such as duplex** or stapling at the device
- ▶ Available device fleet management software
- ▶ Sleep button and Hibernate Mode, helping to reduce energy costs

Make a lasting impression with award-winning color

The documents you print define an important image—yours. That's why Lexmark color lasers help businesses be more productive and stand out with vibrant color. With the ability to print professional quality color in-house, you can add instant impact and save costs by virtually eliminating the need to outsource print jobs. Lexmark also offers a host of color-access and control tools to manage costs.

The right touch

The Lexmark e-Task color touch screen is a key access point to your printer. The customizable 4.3-inch interface gives you the ability to preview thumbnails of documents prior to printing, as well as change print jobs at the device. You can even view, select and print specific pages within a document directly from the touch screen. Its easy-to-use, intuitive navigation provides fast access to the functions, shortcuts and workflows you use most. New interactive sensory features provide audible feedback, helping to guide you through each operation, confirming a touch has registered and indicating an action is transpiring.

Protecting your information

From the data traveling through your network to the pages being printed, Lexmark's innovative security controls give you peace of mind that your valuable corporate data is protected at every stage.

- ▶ Cutting-edge user authentication and authorization controls, including LDAP, help protect your device and data
- ▶ Card reader option to add an extra layer of security
- ▶ Hard disk encryption protects sensitive data on the disk drive
- ▶ Automatic, scheduled or manual disk wiping
- ▶ IPSec, SNMPv3 and 802.1x network security supported
- ▶ Security-audit logging to help track and identify security risks

True image always

Lexmark is dedicated to designing and manufacturing products that deliver exceptional quality and reliable performance. Maximize the return on your investment, extend the service life of your Lexmark printing equipment and make a lasting impression by always insisting on Lexmark Genuine Supplies, Service and Parts. Lexmark C792 Series color laser printers are backed by a one-year limited warranty. For further protection against unexpected expenses or downtime, extended warranty offerings are available.

** Duplex not available on C792e model.

Save time and money through solutions

Reduce unnecessary printing and simplify work processes with Lexmark solutions. The C792 Series features the Lexmark Embedded Solutions Framework (eSF), our platform that enables you to add a wide range of software applications directly onto the device. Solutions are designed with your productivity in mind, helping you streamline—or even eliminate—paper intensive business processes.

Below are solutions that come preloaded on the C792 Series. A diverse portfolio of additional Lexmark solutions is available to help accommodate your workflow needs.

Preloaded solutions* on the C792 series:



Forms and Favorites

Instantly access required online forms from any eTask-equipped Lexmark printer or multifunction product (MFP) to help simplify and streamline work processes.



Eco Settings

Lets you change up to six different device settings to enhance environmental savings: Eco-Mode, two-sided printing, time to standby mode, time to Power Saver mode, screen brightness, and Quiet Mode.



Showroom

Display a customizable, scrolling slideshow on the color touch screen to promote your business or products, or to communicate important messages to your customers or employees.



Background and Idle Screen

Change the touch screen background to your corporate logo, a unique message, or select one of the four screens that are preloaded on the device



Change Language**

Easily switch the language displayed on the touch screen—18 languages supported.

* Additional solutions are available
** Opt-in to Change Language during installation

Color single function products



1. Intuitive color touch screen

Operate your device with ease through smart and intuitive navigation with audible and tactile feedback when you use the touch screen.



2. Flexible output options

Choose from four output options, including a five-Bin mailbox, an offset stacker, a Staple finisher, and a Staple with hole punch finisher.



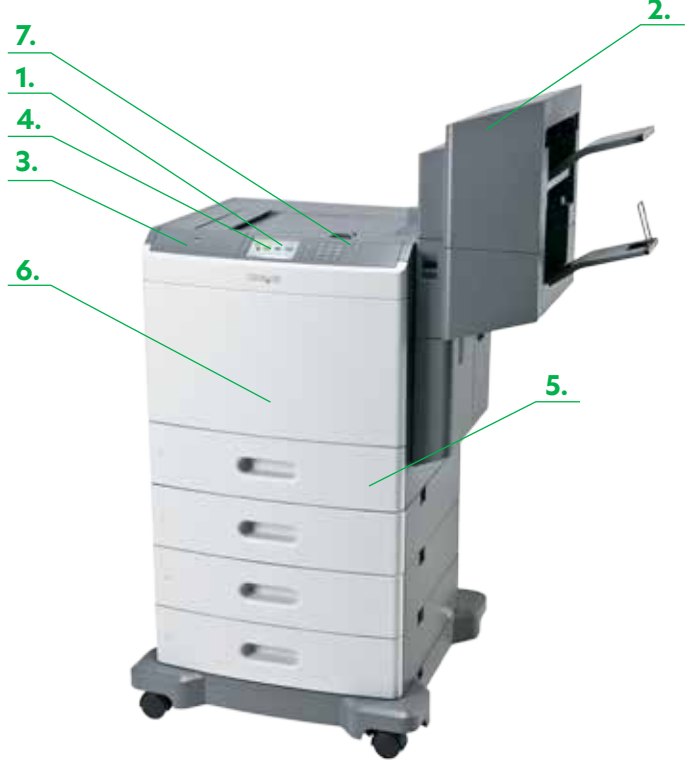
3. Direct USB

A front USB port allows for convenient walk-up preview and printing and is compatible with most printable image file formats.



4. Lexmark solutions

Reduce unnecessary printing and simplify work processes through solutions applications preloaded on your device. Choose additional Lexmark solutions to fit your unique workflow needs.



Lexmark C792dhe color laser printer shown with optional finisher



5. Expandable input

Print on multiple paper types and boost total capacity up to 3,200 sheets.



6. Long-lasting toner

The Lexmark Extra High Yield Print Cartridge delivers up to 20,000* pages, reducing interventions, cartridge waste and cost.



7. Eco-friendly features

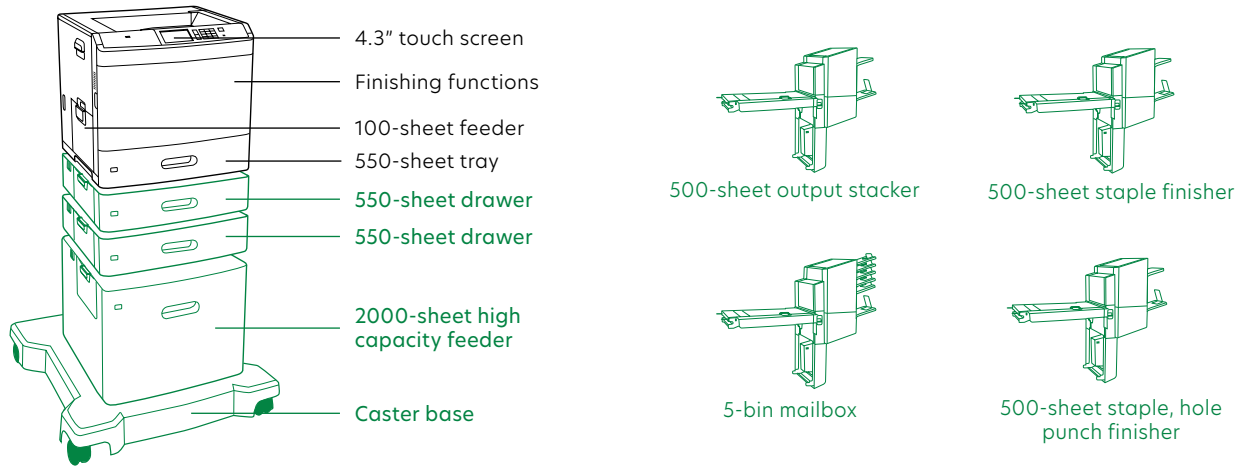
Easy-to-access features make it easy to print responsibly, including Eco-Mode to reduce paper and toner consumption, and the Sleep button and Hibernate Mode to help you save energy.

* Average continuous Black or composite CMY declared cartridge yield in accordance with ISO/IEC 19798.

C792 series ordering information

Part #	Models	Part #	Models	Part #	Models
47B0000	Lexmark C792e	47B1100	C792, X792 500-sheet staple finisher	14T0220	MarkNet™ N7020e Gigabit Ethernet Print Server
47B0001	Lexmark C792de	47B1103	C792, X792 500-sheet staple, hole punch finisher	1021294	USB Cable (2-meter)
47B0002	Lexmark C792dte	47B0112	C792, X792 spacer	14F0000	Parallel 1284-B Interface Card
47B0003	Lexmark C792dhe	47B0113	C792, X792 banner media tray	1021231	Parallel Cable (10-foot)
				14F0100	RS-232C Serial Interface Card
Part #	Laser toner/print cartridge	Part #	Furniture	Part #	Extended warranties
C792X1KG	C792 Black Extra High Yield Return Program Print Cartridge	47B0114	C792, X792 Caster base	2353754	C792 2-Years Total Onsite Service, Next Business Day
C792X1CG	C792 Cyan Extra High Yield Return Program Print Cartridge	Part #	Memory options	2353755	C792 3-Years Total Onsite Service, Next Business Day
C792X1MG	C792 Magenta Extra High Yield Return Program Print Cartridge	1025041	256MB DDR2-DRAM	2353756	C792 4-Years Total Onsite Service, Next Business Day
C792X1YG	C792 Yellow Extra High Yield Return Program Print Cartridge	1025042	512MB DDR2-DRAM	2353757	C792 5-Years Total Onsite Service, Next Business Day
C792A1KG	C792, X792 Black Return Program Print Cartridge	1025043	1024MB DDR2-DRAM	2353758	C792 1-Year Onsite Service Renewal, Next Business Day
C792A1CG	C792, X792 Cyan Return Program Print Cartridge	14F0245	256MB flash card	Part #	User replaceable parts
C792A1MG	C792, X792 Magenta Return Program Print Cartridge	27X0014	160+ GB hard disk	40X7100	C792, X792 Fuser Maintenance Kit 110-120V
C792A1YG	C792, X792 Yellow Return Program Print Cartridge	30G0287	Arabic font card	40X7103	C792, X792 Transfer Module Maintenance Kit
C792X2KG	C792 Black Extra High Yield Print Cartridge	30G0828	Japanese font card	Part #	Service parts
C792X2CG	C792 Cyan Extra High Yield Print Cartridge	30G0825	Korean font card	40X6104	Pick tire for trays
C792X2MG	C792 Magenta Extra High Yield Print Cartridge	30G0826	Simplified Chinese Font Card	40X7178	MPF pick tires and wear strip
C792X2YG	C792 Yellow Extra High Yield Print Cartridge	30G0827	Traditional Chinese Font Card		
C792X77G	C792, X792 Waste Toner Bottle	Part #	Application solutions		
25A0013	Staple Cartridges (3 pack)	47B1115	C792 Card for PRESCRIBE Emulation		
Part #	Paper handling	47B1113	C792 Forms and Bar Code Card		
47B0110	C792, X792 550-sheet drawer	47B1114	C792 Card for IPDS		
47B0111	C792, X792 2000-sheet high capacity feeder	57X9000	Lexmark PrintCryption Card		
47B1101	C792, X792 5-bin mailbox	Part #	Connectivity		
47B1102	C792, X792 500-sheet offset stacker	27X0025	MarkNet N8250 802.11b/g/n wireless Print Server		
		14F0037	MarkNet N8120 Gigabit Ethernet Print Server		
		14F0042	MarkNet N8130 Fiber Ethernet 100BaseFX, 10BaseFL Print Server		

Color single function products



Product specifications	Lexmark C792e	Lexmark C792de	Lexmark C792dte	Lexmark C792dhe
Printing				
Display	Lexmark e-Task 4.3-inch color touch screen			
Print Speed: Up to	Black: 50 ppm / Color: 50 ppm			
Time to First Page: As fast as	Black: 8 seconds / Color: 8.5 seconds			
Print Resolution	Black: 4800 Color Quality (2400 x 600 dpi), 1200 x 1200 dpi / Color: 4800 Color Quality (2400 x 600 dpi), 1200 x 1200 dpi			
Memory	Standard: 512 MB / Maximum: 1536 MB			Standard: 1024 MB / Maximum: 1536 MB
Hard Disk	Option available			Included in configuration
Recommended Monthly Page Volume ²	2500 - 25000 pages			
Maximum Monthly Duty Cycle: Up to ¹	150000 pages per month			
Supplies				
Cartridge(s) Shipping with Product	11,000-page color (CMY) Starter Return Program Print Cartridges, 8,500-page Black Starter Return Program Print Cartridge			
Paper Handling				
Paper Input Capacity: Up to	Standard: 650 pages 20 lb or 75 gsm bond / Maximum: 3200 pages 20 lb or 75 gsm bond	Standard: 1200 pages 20 lb or 75 gsm bond / Maximum: 3200 pages 20 lb or 75 gsm bond	Standard: 2300 pages 20 lb or 75 gsm bond / Maximum: 2300 pages 20 lb or 75 gsm bond	Standard: 2300 pages 20 lb or 75 gsm bond / Maximum: 2300 pages 20 lb or 75 gsm bond
Paper Output Capacity: Up to	Standard: 500 pages 20 lb or 75 gsm bond / Maximum: 1000 pages 20 lb or 75 gsm bond			
Media Types Supported	Banner Paper, Outdoor Media, Refer to the Card Stock & Label Guide., Vinyl Labels, Transparencies, Polyester Labels, Plain Paper, Paper Labels, Integrated Labels, Glossy Paper, Envelopes, Dual Web Labels, Card Stock			
Media Sizes Supported	Universal, Statement, Letter, Legal, JIS-B5, Folio, Executive, DL Envelope, C5 Envelope, B5 Envelope, A5, A4, 9 Envelope, 7 3/4 Envelope, 10 Envelope			
General Information				
Standard Ports	Ethernet 10/100/1000 BaseTX (RJ-45), Rear USB 2.0 Specification Hi-Speed Certified Port (Type A), Front USB 2.0 Specification Hi-Speed Certified port (Type A), USB 2.0 Specification Hi-Speed Certified (Type B)			
Optional Network Ports / Optional Local Ports	Internal MarkNet™ N8250 802.11b/g/n Wireless, Internal MarkNet™ N8130 Fiber Fast Ethernet, Internal MarkNet™ N8120 Gigabit Ethernet, External MarkNet N7020e Gigabit Ethernet / Internal 1284-B Bidirectional Parallel, Internal RS-232C serial			
Noise Level: Operating	Print: 52 dBA			
Specified Operating Environment	Altitude: 0 - 3048 Meters (10,000 Feet), Humidity: 8 to 80% Relative Humidity, Temperature: 16 to 32°C (60 to 90°F)			
Limited Warranty - See Statement of Limited Warranty	1-Year Onsite Service, Next Business Day			
Size (in. - H x W x D) / Weight (lb.)	20.3 x 22.3 x 20.2 in. / 110 lb.	25.5 x 22.3 x 20.2 in. / 131 lb.	40.5 x 26.1 x 25.9 in. / 231 lb.	40.5 x 26.1 x 25.9 in. / 231 lb.

¹"Maximum Monthly Duty Cycle" is defined as the maximum number of pages a device could deliver in a month using a multishift operation. This metric provides a comparison of robustness in relation to other Lexmark printers and MFPS. ²"Recommended Monthly Page Volume" is a range of pages that helps customers evaluate Lexmark's product offerings based on the average number of pages customers plan to print on the device each month. Lexmark recommends that the number of pages per month be within the stated range for optimum device performance, based on factors including: supplies replacement intervals, paper loading intervals, speed, and typical customer usage.

This is a Class A device according to the FCC Rules and international electromagnetic emissions standards. This device is not intended for use in residential or domestic environments due to potential interference to radio communications.

© 2015 Lexmark and the Lexmark logo are trademarks of Lexmark International, Inc., registered in the United States and/or other countries. All other trademarks are the property of their respective owners. ENERGY STAR® is a U.S. registered mark.

AirPrint and the AirPrint logo are trademarks of Apple Inc.

