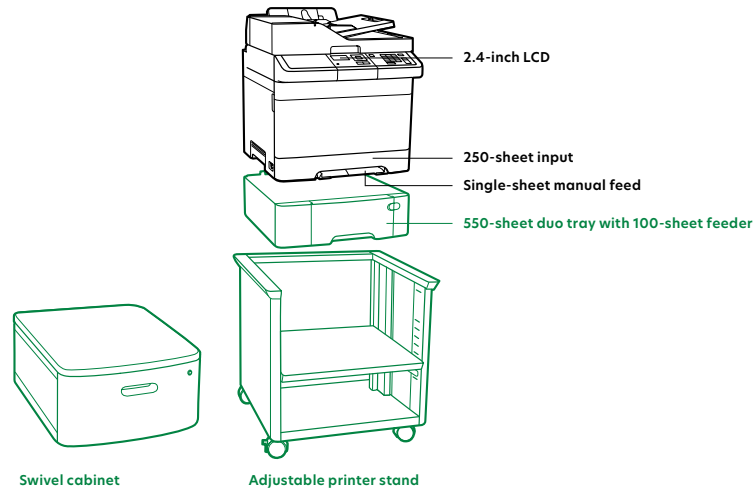


## CX310 Series printer features

Standard  
 Optional



Product specifications	Lexmark CX310n	Lexmark CX310dn
<b>Printing</b>		
Display	2.4-inch (60 mm) Color LCD display	
Print Speed: Up to <sup>5</sup>	Black: 25 ppm / Color: 25 ppm	
Time to First Page: As fast as	Black: 11.5 seconds / Color: 12.5 seconds	
Print Resolution	Black: 1200 x 1200 dpi, 4800 Color Quality (2400 x 600 dpi) / Color: 1200 x 1200 dpi, 4800 Color Quality (2400 x 600 dpi)	
Memory / Processor	Standard: 512 MB / Maximum: 2560 MB / Dual Core, 800 MHz	
Hard Disk	Not Available	
Recommended Monthly Page Volume <sup>2</sup>	500 - 5000 pages	
Maximum Monthly Duty Cycle: Up to <sup>3</sup>	60000 pages per month	
<b>Copying</b>		
Copy Speed: Up to <sup>5</sup>	Black: 25 cpm / Color: 25 cpm	
Time to First Copy: As fast as	Black: 11.5 seconds / Color: 12.5 seconds	
<b>Scanning</b>		
Scanner Type / ADF Scan	Flatbed scanner with ADF / Simplex	
A4/Ltr Simplex Scan Speed: Up to	Black: 30 / 32 sides per minute / Color: 30 / 32 sides per minute	
<b>Supplies<sup>7</sup></b>		
Laser Cartridge Yields (up to) <sup>1</sup>	1,000-page Black and Color (CMYK) Cartridges, 2,000-page Color (CMY) Cartridges, 2,500-page Black Cartridge	
Photoconductor Estimated Yield: Up to <sup>6</sup>	40,000 pages, based on 3 average letter/A4-size pages per print job and ~ 5% coverage	
Cartridge(s) Shipping with Product <sup>1</sup>	750-page Black and Color (CMYK) Starter Return Program Toner Cartridges	1,400-page Black and Color (CMYK) Starter Return Program Toner Cartridges
<b>Paper Handling</b>		
Included Paper Handling	250-Sheet Input, 150-Sheet Output Bin, Single-Sheet Manual Feed	250-Sheet Input, 150-Sheet Output Bin, Integrated Duplex, Single-Sheet Manual Feed
Optional Paper Handling	550-Sheet Duo Tray with 100-Sheet Feeder	
Paper Input Capacity: Up to	Standard: 250+1 pages 20 lb or 75 gsm bond / Maximum: 900+1 pages 20 lb or 75 gsm bond	
Paper Output Capacity: Up to	Standard: 150 pages 20 lb or 75 gsm bond / Maximum: 150 pages 20 lb or 75 gsm bond	
Media Types Supported	Card Stock, Paper Labels, Plain Paper, Transparencies, Refer to the Card Stock & Label Guide.	
Media Sizes Supported	A4, A5, Executive, Folio, JIS-B5, Legal, Letter, Universal, Oficio	
<b>General Information<sup>4</sup></b>		
Standard Ports	USB 2.0 Specification Hi-Speed Certified (Type B), Gigabit Ethernet (10/100/1000)	
Optional Network Ports	MarkNet N8352 802.11b/g/n Wireless	
Noise Level: Operating	Print: 47 dBA / Copy: 48 dBA / Scan: 49 dBA	
Specified Operating Environment	Temperature: 16 to 32°C (60 to 90°F), Humidity: 8 to 80% Relative Humidity, Altitude: 0 - 2896 Meters (9,500 Feet)	
Limited Warranty - See Statement of Limited Warranty	1-Year Onsite Service, Next Business Day	
Size (in. - H x W x D) / Weight (lb.)	18.44 x 17.48 x 21.99 in. / 60.25 lb.	

<sup>1</sup>Average continuous black or continuous composite CMY declared cartridge yield up to this number of standard pages in accordance with ISO/IEC 19798. <sup>2</sup>Recommended Monthly Page Volume<sup>2</sup> is a range of pages that helps customers evaluate Lexmark's product offerings based on the average number of pages customers plan to print on the device each month. Lexmark recommends that the number of pages per month be within the stated range for optimum device performance, based on factors including: supplies replacement intervals, paper loading intervals, speed, and typical customer usage. <sup>3</sup>Maximum Monthly Duty Cycle<sup>3</sup> is defined as the maximum number of pages a device could deliver in a month using a multishift operation. This metric provides a comparison of robustness in relation to other Lexmark printers and MFPs. <sup>4</sup>Printers are sold subject to certain license/agreement conditions. See [www.lexmark.com/](http://www.lexmark.com/) printerlicense for details. <sup>5</sup>Print and copy speeds measured in accordance with ISO/IEC 24734 and ISO/IEC 24735 respectively (ESAT). For more information see: [www.lexmark.com/ISOspeeds](http://www.lexmark.com/ISOspeeds). <sup>6</sup>Actual Yield may vary based on other factors such as device speed, paper size and feed orientation, toner coverage, tray source, percentage of black-only printing and average print job complexity. <sup>7</sup>Product functions only with replacement cartridges designed for use in a specific geographical region. See [www.lexmark.com/regions](http://www.lexmark.com/regions) for more details.

© 2015 Lexmark and the Lexmark logo are trademarks of Lexmark International, Inc., registered in the United States and/or other countries. All other trademarks are the property of their respective owners. ENERGY STAR® is a U.S. registered mark.

AirPrint and the AirPrint logo are trademarks of Apple Inc.