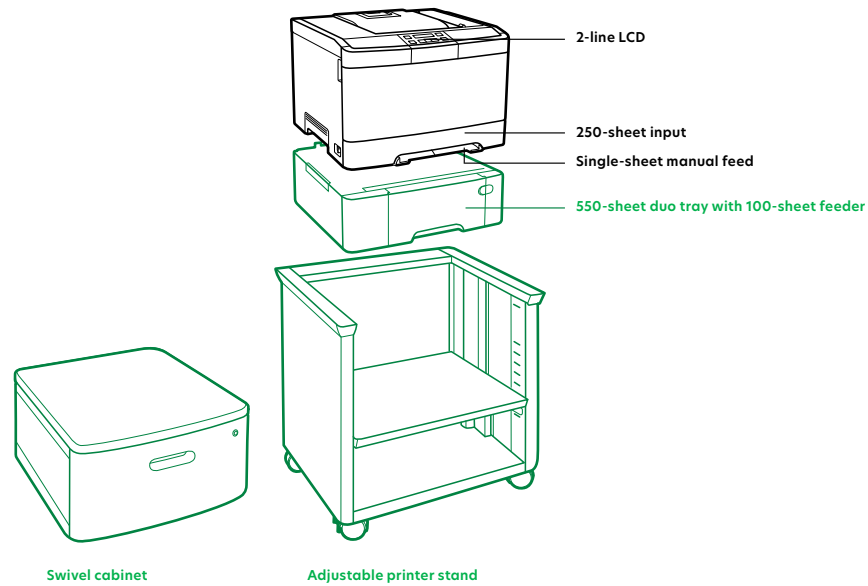


## CS310 Series printer features



Standard  
 Optional

Product specifications	Lexmark CS310n	Lexmark CS310dn
<b>Printing</b>		
Display	16 character, 2-line backlit All Points Addressable (APA) LCD Display	
Print Speed: Up to <sup>6</sup>	Black: 25 ppm / Color: 25 ppm	
Time to First Page: As fast as	Black: 10 seconds / Color: 11 seconds	
Print Resolution	Black: 1200 x 1200 dpi, 4800 Color Quality (2400 x 600 dpi) / Color: 4800 Color Quality (2400 x 600 dpi), 1200 x 1200 dpi	
Memory / Processor	Standard: 256 MB / Maximum: 2304 MB / Dual Core, 800 MHz	
Hard Disk	Not Available	
Recommended Monthly Page Volume <sup>3</sup>	500 - 5000 pages	
Maximum Monthly Duty Cycle: Up to <sup>7</sup>	60000 pages per month	
<b>Supplies<sup>5</sup></b>		
Laser Cartridge Yields (up to) <sup>1</sup>	4,000-page Black High Yield Cartridge, 3,000-page Color (CMY) High Yield Cartridges, 1,000-page Black and Color (CMYK) Cartridges	
Photoconductor Estimated Yield: Up to <sup>2</sup>	40,000 pages, based on 3 average letter/A4-size pages per print job and ~ 5% coverage	
Cartridge(s) Shipping with Product <sup>1</sup>	750-page Black and Color (CMYK) Starter Return Program Toner Cartridges	1,400-page Black and Color (CMYK) Starter Return Program Toner Cartridges
<b>Paper Handling</b>		
Included Paper Handling	125-Sheet Output Bin, 250-Sheet Input, Single-Sheet Manual Feed	125-Sheet Output Bin, Integrated Duplex, 250-Sheet Input, Single-Sheet Manual Feed
Optional Paper Handling	550-Sheet Duo Tray with 100-Sheet Feeder	
Paper Input Capacity: Up to	Standard: 250+1 pages 20 lb or 75 gsm bond / Maximum: 900+1 pages 20 lb or 75 gsm bond	
Paper Output Capacity: Up to	Standard: 125 pages 20 lb or 75 gsm bond / Maximum: 125 pages 20 lb or 75 gsm bond	
Media Types Supported	Plain Paper, Transparencies, Card Stock, Refer to the Card Stock & Label Guide., Paper Labels	
Media Sizes Supported	Folio, JIS-B5, Executive, A5, Legal, Universal, Letter, Oficio, A4	
<b>General Information<sup>4</sup></b>		
Standard Ports	USB 2.0 Specification Hi-Speed Certified (Type B), Ethernet 10/100BaseTX (RJ-45), also works with 1000Base-T	
Optional Network Ports	MarkNet N8352 802.11b/g/n Wireless	External MarkNet N7020e Gigabit Ethernet, MarkNet N8352 802.11b/g/n Wireless
Noise Level: Operating	Print: 48 dBA	
Specified Operating Environment	Temperature: 16 to 32°C (60 to 90°F), Humidity: 8 to 80% Relative Humidity, Altitude: 0 - 2896 Meters (9,500 Feet)	
Limited Warranty - See Statement of Limited Warranty	1-Year Exchange Service, Next Business Day	
Size (in. - H x W x D) / Weight (lb.)	11.5 x 17.4 x 16.0 in. / 44.3 lb.	11.5 x 17.4 x 16.0 in. / 44.8 lb.

<sup>1</sup>Average continuous black or continuous composite CMY declared cartridge yield up to this number of standard pages in accordance with ISO/IEC 19798. <sup>2</sup>Actual Yield may vary based on other factors such as device speed, paper size and feed orientation, toner coverage, tray source, percentage of black-only printing and average print job complexity. <sup>3</sup>Recommended Monthly Page Volume<sup>3</sup> is a range of pages that helps customers evaluate Lexmark's product offerings based on the average number of pages customers plan to print on the device each month. Lexmark recommends that the number of pages per month be within the stated range for optimum device performance, based on factors including: supplies replacement intervals, paper loading intervals, speed, and typical customer usage. <sup>4</sup>Printers are sold subject to certain license/agreement conditions. See [www.lexmark.com/](http://www.lexmark.com/) printerlicense for details. <sup>5</sup>Product functions only with replacement cartridges designed for use in a specific geographical region. See [www.lexmark.com/regions](http://www.lexmark.com/regions) for more details. <sup>6</sup>Print and copy speeds measured in accordance with ISO/IEC 24734 and ISO/IEC 24735 respectively (ESAT). For more information see: [www.lexmark.com/ISOspeeds](http://www.lexmark.com/ISOspeeds). <sup>7</sup>Maximum Monthly Duty Cycle<sup>7</sup> is defined as the maximum number of pages a device could deliver in a month using a multishift operation. This metric provides a comparison of robustness in relation to other Lexmark printers and MFPS.

© 2015 Lexmark and the Lexmark logo are trademarks of Lexmark International, Inc., registered in the United States and/or other countries. All other trademarks are the property of their respective owners. ENERGY STAR<sup>®</sup> is a U.S. registered mark.

AirPrint and the AirPrint logo are trademarks of Apple Inc.