



Lexmark MS310/ MS410 Series



With three distinct models, Lexmark MS310/MS410 Series printers offer superior performance, security, usability and value for both small business printing and enterprise small workgroups.

Performance and security for any size business

Lexmark MS310/MS410 Series offer value and performance typical of higher-priced printers. Even the lowest-priced model features duplex printing, instant-on fuser, display panel, Ethernet, USB and parallel ports, plus options for wireless printing and higher input capacity. Additional models offer color LCD display, Confidential Print, support for Extra High-Yield cartridges and recommended monthly page volume up to 7,200 pages. And they're compact enough to fit anywhere.

Win with speed, volume and reliability

Print complex documents fast: Effortlessly print documents containing lots of graphics and images with up to 256 MB of memory, a powerful 800 MHz dual-core processor and high-speed connectivity.

Get work done quickly: Experience less wait time with print speeds up to 40 pages per minute, plus an instant-on fuser that prints your first page in as little as 6.5 seconds.



Up to 40 ppm



Network



Duplex



Eco-mode



Run jobs without interruption: With an input capacity of up to 850 sheets and extra high yield toner cartridge options, you won't have to add paper or change cartridges as often.

Reliable performance: Easily print thousands of pages per month, with fewer maintenance hassles, thanks to our state-of-the-art paper handling.

Monitor and control your output

Printer configuration and status

monitoring: On-printer displays range from the MS312dn's two-line LCD to the 2.4-inch color LCD of the MS315dn and MS415dn. They not only assist in device configuration, but keep you informed of printer and print job status.

Confidential print: The MS315dn and MS415dn include a keypad to ensure that only the person who sent the print job picks it up—whether sent from the next desk or the other side of the world.

Remote manageability: Control printer settings from any browser (when network-connected), including security settings, device defaults, consumable alerts and more.

Network security: A comprehensive set of enterprise-class network security features and protocols are built in to protect your device, your information and your network from unauthorized access.

Connect with your world

Connectivity: Gigabit Ethernet (10/100 Ethernet on the MS312dn) instantly connects to standard networks, while USB 2.0 and parallel ports link to individual device outputs. Optional wireless (802.11n) connectivity supports flexible printer placement on wireless networks.

Protocols: The series supports nearly all printing protocols, assuring seamless output from any device or application with printing capabilities.

Mobile printing: With the MS315 and MS415, you can print from any iOS or Android device with Lexmark Mobile Print. And all three models are AirPrint-compatible, for easy wireless output from Apple OS X and iOS devices.



Quality output

High resolution output: With resolution up to true 1200x1200 dpi, images and graphics stay crisp.

Advanced toner: Lexmark's Unison™ Toner system optimizes printer performance, delivering rich blacks and smooth grays from the first print to the last, without fading.

Save resources, save money

Duplexing: Default-mode integrated two-sided printing feature saves paper.

Energy-saving modes: Quiet, Hibernate and Eco modes automatically minimize noise, while saving paper and energy.

Fast fuser: Instant-on fuser eliminates the long warm-ups of older technologies.

Economical printing: Separate toner-delivery and imaging units ensure consistent print quality and save paper, while the option for Extra-High-Yield toner cartridge (MS415dn) minimizes toner replacement, user intervention and waste. In addition, low-friction Unison™ Toner flows better, minimizes waste and reduces wear on internal components. It even reduces per-page carbon footprint by up to 46%, compared to competing brands.

A helpful print partner

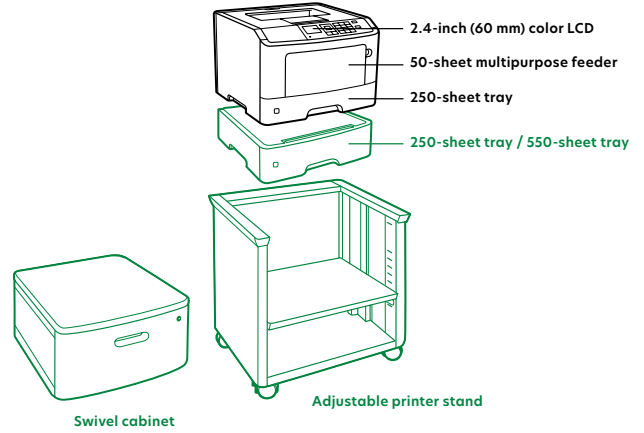
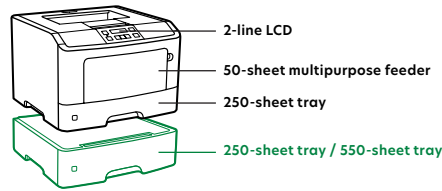
With their easy set-up and full compatibility with your operating systems and network, the MS310/MS410 Series will have you up and running in minutes. Their easy-to-use control panels, advanced displays and remote web interface keep you aware of device status and supply levels. And the no-shake toner delivery system, plus option for extra-high-capacity toner cartridges, minimizes supply handling.

Peace of mind service

Lexmark backs up the MS310/MS410 Series to give you maximum uptime and reduce service worries. Their standard one-year warranty includes multiple contact options, including phone, email, live chat and remote assistance. And if you ever need device replacement, our "advance exchange" service quickly gets you printing again.

MS310/MS410 Series printer features

Standard
 Optional



Product specifications	Lexmark MS312dn	Lexmark MS315dn	Lexmark MS415dn
Printing			
Display	2-line All Points Addressable (APA) monochrome LCD display	2.4-inch (60 mm) Color LCD display	
Print Speed: Up to ³	Black: 35 ppm	Black: 37 ppm	Black: 40 ppm
Time to First Page: As fast as	Black: 6.5 seconds		
Print Resolution	Black: 1200 Image Quality, 1200 x 1200 dpi, 2400 Image Quality, 600 x 600 dpi		
Memory / Processor	Standard: 128 MB / Maximum: 128 MB / Dual Core, 800 MHz	Standard: 256 MB / Maximum: 256 MB / Dual Core, 800 MHz	
Hard Disk	Not Available		
Recommended Monthly Page Volume ⁷	500 - 2500 pages	500 - 4000 pages	750 - 7200 pages
Maximum Monthly Duty Cycle: Up to ⁵	50000 pages per month	60000 pages per month	100000 pages per month
Supplies²			
Laser Cartridge Yields (up to) ¹	1,500-page Cartridge, 5,000-page Black High Yield Cartridge		1,500-page Cartridge, 5,000-page Black High Yield Cartridge, 10,000-page Extra High Yield Cartridge
Imaging Unit Estimated Yield: Up to ⁴	60000 pages, based on 3 average letter/A4-size pages per print job and ~ 5% coverage		
Cartridge(s) Shipping with Product ¹	1,500-page Return Program Toner Cartridge	3,000-page starter Return Program Toner Cartridge	
Paper Handling			
Included Paper Handling	250-Sheet Input, 50-Sheet Multipurpose Feeder, 150-Sheet Output Bin, Integrated Duplex		
Optional Paper Handling	250-Sheet Tray, 550-Sheet Tray, 550-Sheet Lockable Tray		
Paper Input Capacity: Up to	Standard: 300 pages 20 lb or 75 gsm bond / Maximum: 850 pages 20 lb or 75 gsm bond		
Paper Output Capacity: Up to	Standard: 150 pages 20 lb or 75 gsm bond / Maximum: 150 pages 20 lb or 75 gsm bond		
Media Types Supported	Card Stock, Envelopes, Paper Labels, Plain Paper, Transparencies, Refer to the Card Stock & Label Guide.		
Media Sizes Supported	10 Envelope, 7 3/4 Envelope, 9 Envelope, A4, A5, DL Envelope, Executive, Folio, JIS-B5, Legal, Letter, Statement, Universal, Oficio, A6		
General Information⁶			
Standard Ports	Centronics IEEE 1284 Bidirectional Parallel, USB 2.0 Specification Hi-Speed Certified (Type B), Ethernet 10/100BaseTX (RJ-45), also works with 1000Base-T	Centronics IEEE 1284 Bidirectional Parallel, USB 2.0 Specification Hi-Speed Certified (Type B), Gigabit Ethernet (10/100/1000)	
Optional Network Ports	External MarkNet N7020e Gigabit Ethernet, MarkNet N8352 802.11b/g/n Wireless	MarkNet N8352 802.11b/g/n Wireless	
Noise Level: Operating	Print: 53 dBA		Print: 54 dBA
Specified Operating Environment	Temperature: 16 to 32°C (60 to 90°F), Humidity: 8 to 80% Relative Humidity, Altitude: 0 - 2896 Meters (9,500 Feet)		
Limited Warranty - See Statement of Limited Warranty	1-Year Exchange Service		
Size (in. - H x W x D) / Weight (lb.)	10.3 x 15.7 x 15.0 in. / 30.9 lb.		10.3 x 15.7 x 15.0 in. / 31.2 lb.

¹Average standard page yield value declared in accordance with ISO/IEC 19752. ²Product functions only with replacement cartridges designed for use in a specific geographical region. See www.lexmark.com/regions for more details. ³Print and copy speeds measured in accordance with ISO/IEC 24734 and ISO/IEC 24735 respectively (ESAT). For more information see: www.lexmark.com/ISOspeeds. ⁴Actual Yield may vary based on other factors such as device speed, paper size and feed orientation, toner coverage, tray source, percentage of black-only printing and average print job complexity. ⁵"Maximum Monthly Duty Cycle" is defined as the maximum number of pages a device could deliver in a month using a multishift operation. This metric provides a comparison of robustness in relation to other Lexmark printers and MFPs. ⁶Printers are sold subject to certain license/agreement conditions. See www.lexmark.com/printerlicense for details. ⁷Recommended Monthly Page Volume" is a range of pages that helps customers evaluate Lexmark's product offerings based on the average number of pages customers plan to print on the device each month. Lexmark recommends that the number of pages per month be within the stated range for optimum device performance, based on factors including: supplies replacement intervals, paper loading intervals, speed, and typical customer usage.