

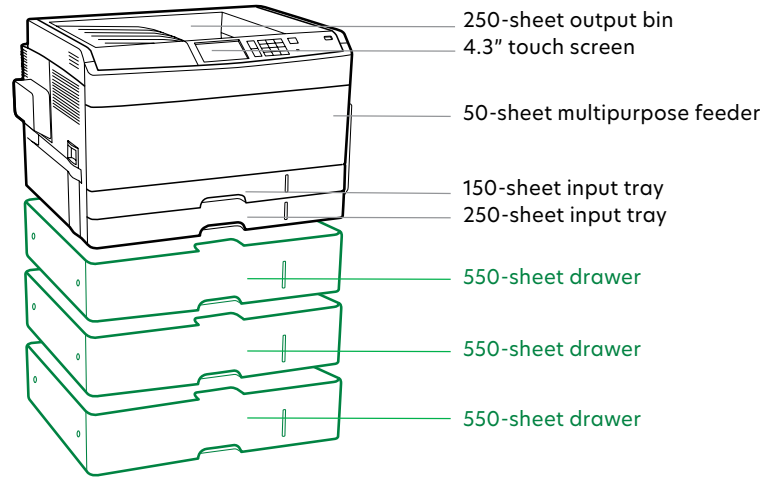
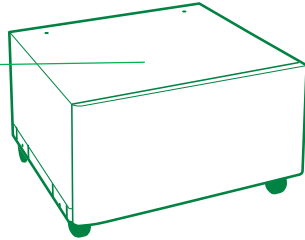


C925 Family printer features

Cabinet with casters
(use only one
550-sheet drawer)

 Standard
 Optional



Product specifications	Lexmark C925de	Lexmark C925dte
Printing		
Display	Lexmark e-Task 4.3-inch color touch screen	
Print Speed: Up to	Black: 30 ppm / Color: 30 ppm	
Time to First Page: As fast as	Black: 9 seconds / Color: 11 seconds	
Print Resolution	Black: 1200 Image Quality, 600 x 600 dpi / Color: 1200 Image Quality, 600 x 600 dpi	
Memory / Processor	Standard: 256 MB / Maximum: 1280 MB / 800 MHz	Standard: 1280 MB / Maximum: 1280 MB / 800 MHz
Hard Disk	Option available	
Recommended Monthly Page Volume ³	2500 - 10000 pages	
Maximum Monthly Duty Cycle: Up to ²	200000 pages per month	
Supplies		
Imaging Unit Estimated Yield: Up to ¹	30,000 pages, based on 3 average letter/A4-size pages per print job and ~ 5% coverage	
Cartridge(s) Shipping with Product	8,500-page Black High Yield Toner Cartridge, 7,500-page Color (CMY) High Yield Toner Cartridges	
Paper Handling		
Paper Input Capacity: Up to	Standard: 450 pages 20 lb or 75 gsm bond / Maximum: 2100 pages 20 lb or 75 gsm bond	Standard: 1000 pages 20 lb or 75 gsm bond / Maximum: 2100 pages 20 lb or 75 gsm bond
Paper Output Capacity: Up to	Standard: 250 pages 20 lb or 75 gsm bond / Maximum: 250 pages 20 lb or 75 gsm bond	
Media Types Supported	Plain Paper, Transparencies, Card Stock, Labels, Refer to the Card Stock & Label Guide., Envelopes	
Media Sizes Supported	Statement, 7 3/4 Envelope, A3, Folio, JIS-B5, DL Envelope, Executive, A5, Legal, A6, 9 Envelope, Universal, B5 Envelope, Letter, Oficio, 10 Envelope, C5 Envelope, JIS-B4, Ledger, A4	
General Information		
Standard Ports	USB 2.0 Specification Hi-Speed Certified (Type B), Front USB 2.0 Specification Hi-Speed Certified port (Type A), Ethernet 10/100/1000 BaseTX (RJ-45)	
Optional Network Ports / Optional Local Ports	Internal MarkNet™ N8250 802.11b/g/n Wireless, Internal MarkNet™ N8130 Fiber Fast Ethernet, Internal MarkNet™ N8120 Gigabit Ethernet, External MarkNet N7020e Gigabit Ethernet / Internal 1284-B Bidirectional Parallel, Internal RS-232C serial	
Noise Level: Operating	Print: 53 dBA	
Specified Operating Environment	Humidity: 20 to 80% Relative Humidity, Altitude: 0 - 2300 Meters (7,545 Feet), Temperature: 10 to 32°C (50 to 90°F)	
Limited Warranty - See Statement of Limited Warranty	1-Year Onsite Service, Next Business Day	
Size (in. - H x W x D) / Weight (lb.)	16.54 x 24.49 x 21.93 in. / 106.5 lb.	21.86 x 24.49 x 21.93 in. / 137.3 lb.

¹Actual Yield may vary based on other factors such as device speed, paper size and feed orientation, toner coverage, tray source, percentage of black-only printing and average print job complexity. ²Maximum Monthly Duty Cycle" is defined as the maximum number of pages a device could deliver in a month using a multishift operation. This metric provides a comparison of robustness in relation to other Lexmark printers and MFPs. ³Recommended Monthly Page Volume" is a range of pages that helps customers evaluate Lexmark's product offerings based on the average number of pages customers plan to print on the device each month. Lexmark recommends that the number of pages per month be within the stated range for optimum device performance, based on factors including: supplies replacement intervals, paper loading intervals, speed, and typical customer usage.

This is a Class A device according to the FCC Rules and international electromagnetic emissions standards. This device is not intended for use in residential or domestic environments due to potential interference to radio communications.

© 2015 Lexmark and the Lexmark logo are trademarks of Lexmark International, Inc., registered in the United States and/or other countries. All other trademarks are the property of their respective owners.

AirPrint and the AirPrint logo are trademarks of Apple Inc.