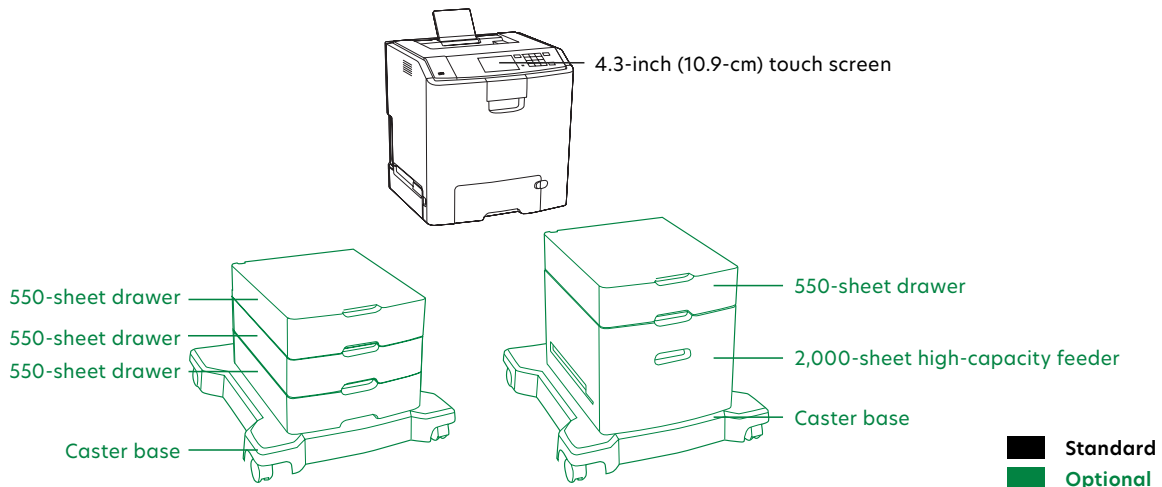


Color single function products



Product specifications	Lexmark C748e	Lexmark C748de	Lexmark C748dte
Printing			
Display	Lexmark e-Task 4.3-inch (10.9 cm) color touch screen		
Print Speed: Up to	Black: 35 ppm / Color: 35 ppm		
Time to First Page: As fast as	Black: 9 seconds / Color: 9 seconds		
Print Resolution	Black: 4800 Color Quality (2400 x 600 dpi), 1200 x 1200 dpi / Color: 4800 Color Quality (2400 x 600 dpi), 1200 x 1200 dpi		
Memory / Processor	Standard: 512 MB / Maximum: 1536 MB / 800 MHz		
Hard Disk	Option available		
Recommended Monthly Page Volume ¹	2,500 - 10,000 pages		
Maximum Monthly Duty Cycle: Up to ²	100,000 pages per month		
Supplies			
Photoconductor Estimated Yield: Up to ³	20,000 pages, based on 3 average letter/A4-size pages per print job and ~ 5% coverage		
Cartridge(s) Shipping with Product	12,000-page Black High Yield Return Program Toner Cartridge, 10,000-page color (CMY) High Yield Return Program Toner Cartridges		
Paper Handling			
Paper Input Capacity: Up to	Standard: 650 pages 20 lb or 75 gsm bond / Maximum: 4300 pages 20 lb or 75 gsm bond	Standard: 1200 pages 20 lb or 75 gsm bond / Maximum: 4300 pages 20 lb or 75 gsm bond	
Paper Output Capacity: Up to	Standard: 300 pages 20 lb or 75 gsm bond / Maximum: 300 pages 20 lb or 75 gsm bond		
Media Types Supported	Refer to the Card Stock & Label Guide., Vinyl Labels, Transparencies, Plain Paper, Paper Labels, Envelopes, Card Stock		
Media Sizes Supported	A6, Oficio, Universal, Statement, Letter, Legal, JIS-B5, Folio, Executive, B5, DL Envelope, C5 Envelope, B5 Envelope, A5, A4, 9 Envelope, 7 3/4 Envelope, 10 Envelope		
General Information			
Standard Ports	Ethernet 10/100/1000 BaseTX (RJ-45), Rear USB 2.0 Specification Hi-Speed Certified Port (Type A), Front USB 2.0 Specification Hi-Speed Certified port (Type A), USB 2.0 Specification Hi-Speed Certified (Type B)		
Optional Network Ports / Optional Local Ports	Internal MarkNet™ N8250 802.11b/g/n Wireless / Internal 1284-B Bidirectional Parallel, Internal RS-232C serial		
Noise Level: Operating	Print: 55 dBA		
Specified Operating Environment	Altitude: 0 - 3048 Meters (10,000 Feet), Humidity: 8 to 80% Relative Humidity, Temperature: 16 to 32°C (60 to 90°F)		
Limited Warranty - See Statement of Limited Warranty	1-Year Onsite Service, Next Business Day		
Size (in. - H x W x D) / Weight (lb.)	17.9 x 17.1 x 15.7 in. / 56.4 lb.	22.9 x 17.1 x 21.5 in. / 66.4 lb.	

¹"Recommended Monthly Page Volume" is a range of pages that helps customers evaluate Lexmark's product offerings based on the average number of pages customers plan to print on the device each month. Lexmark recommends that the number of pages per month be within the stated range for optimum device performance, based on factors including: supplies replacement intervals, paper loading intervals, speed, and typical customer usage. ²"Maximum Monthly Duty Cycle" is defined as the maximum number of pages a device could deliver in a month using a multishift operation. This metric provides a comparison of robustness in relation to other Lexmark printers and MFPs. ³Actual Yield may vary based on other factors such as device speed, paper size and feed orientation, toner coverage, tray source, percentage of black-only printing and average print job complexity.

This is a Class A device according to the FCC Rules and international electromagnetic emissions standards. This device is not intended for use in residential or domestic environments due to potential interference to radio communications.

© 2015 Lexmark and the Lexmark logo are trademarks of Lexmark International, Inc., registered in the United States and/or other countries. All other trademarks are the property of their respective owners. ENERGY STAR® is a U.S. registered mark.

AirPrint and the AirPrint logo are trademarks of Apple Inc.