



## Lexmark MX910 Series

High-volume output, long-life components, solid security and advanced finishing make the Lexmark MX910 Series the ultimate SRA3/12X18 capability multifunction product from Lexmark.

### Advanced features and output-size options

As a complete line of SRA3/12X18 monochrome multifunction products by Lexmark, the MX910 Series brings speed, connectivity, security, sustainable design, a user-centric interface and advanced finishing to your enterprise—supported by the complete Lexmark user experience, service options and solution library.

### Top performance, less downtime

**Speedy printing:** The MX910 Series takes only seconds to produce a first page, then prints up to 45-65 pages per minute, depending on the model. The fast printing mechanism is backed by a powerful 800 MHz dual-core processor and up to three gigabytes of memory to ensure swift output and satisfied users.



Up to  
65 ppm



Solutions



25 cm (10-  
inch) class  
touch screen



SRA3  
12X18



Duplex  
ADF  
single-pass



Finishing  
function

**Top-end input:** The series starts with a thousand pages of input capacity between two standard 500-sheet trays, and space for an additional 150 sheets in the multipurpose feeder. With additional trays and feeders, the line tops out at a massive 6,650 pages of input capacity. The trays even include indicator LEDs to show at a glance when paper's running low or completely out..

**High-volume output:** Meet demanding output requirements for both standard and SRA3 print jobs with the MX910 Series' 300,000-page maximum monthly duty cycle.

**Scanning:** With the ability to process up to 140 images per minute through the duplexing automatic document feeder, your staff can digitize hard copy originals faster, freeing them sooner for more important things.

**Long-life components:** The photoconductor unit is rated for up to 125,000 pages, while the fuser can reach up to 720,000 pages. Replacing fewer components over the life of the product not only saves resources, but means less maintenance and more uninterrupted productivity.

### Connected and capable

**Connectivity:** Gigabit Ethernet instantly connects the MX910 Series to standard networks, while multiple USB 2.0 and optional parallel ports link to individual device outputs. Optional wireless (802.11n) connectivity supports flexible printer placement on wireless networks.

**Protocols:** The series supports nearly all printing protocols, assuring seamless output from any device or application with printing capabilities.



**Mobile printing:** It's a big device that sits in one place. Your users don't, and with Lexmark Mobile Print they can print from anywhere via mobile devices\*, as well as traditional desktop computers.

### Comprehensive security

**Print release:** An optional card reader lets the MX910 Series confirm the identity of a user before releasing a print job they've sent—or offers them a choice of documents printed on demand.

**Remote manageability:** Control device settings from any browser (when network-connected), including security settings, device defaults, consumable alerts and more.

**Network security:** A comprehensive set of enterprise-class network security features and protocols are built in to protect your device, your information and your network—including SNMPv3 and IPSEC

**Secure storage:** The standard encrypted hard disk features advanced functions like automatic disk wiping and manual "out of service" disk wiping to ensure confidential information doesn't end up in the wrong place.

### Sustainable design

**Energy-saving sleep modes:** When not in use, the MX910 Series goes into a sleep mode that takes less than four watts of power—as little as a traditional night light.

**Duplexing:** Integrated two-sided printing, a user-selectable option, saves paper and doesn't slow you down, printing individual sheet sides (images) at up to each device's rated speed.

**Certifications:** EPEAT Silver and 2014+ Energy Star certifications confirm the series' energy efficiency.

### Portal to productivity

The MX910 Series' tilting, 25 cm (10-inch) class colour touch screen keeps users informed of device status and error messages, while visually guiding them through tasks like clearing paper jams.

The large, vivid display is also ideal for print and scan preview, and has magnification and reverse image options to assist users with varying abilities.

And Lexmark's innovative e-Task user interface makes it easy to take advantage of pre-installed solutions like:

**Forms and Favorites:** Instantly access required online forms from any Lexmark printer or multifunction product (MFP) to help simplify and streamline work processes.

**Multi Send:** Scan a paper document once and route the digital image file to multiple destinations simultaneously.

**My Shortcuts:** Save time and improve efficiency by creating shortcuts for your most frequent copy, fax and email tasks.

**Card Copy:** Scan both sides of a wallet-sized card and print them on one page, email them as a file or save them to a shared network folder.

**Scan to Network (Basic):** Capture the image of a document and route it to one of 30 predefined personal or public network folders.

### Additional available solutions include:

**Lexmark Print Management:** Improve the efficiency of your output environment by helping to reduce unnecessary printing and gain valuable insight into how your output infrastructure is utilized.



**Lexmark Smart Card Authentication:** A comprehensive collection of apps enables secure smart card authentication on Lexmark printing and imaging devices.

### Advanced finishing options.

**Simple finishing:** Optional staple finisher has the ability to single-position-staple up to 50 sheets or offset the print job without increasing the footprint of the multifunction product (not compatible with the MX912).

**Staple and hole punch finishing:** Optional floor-standing finisher offset stacks, multi-position-staples and hole-punches in popular configurations. The floor-standing finishers can staple or holepunch at up to the device's maximum rated print speed for complete efficiency.

**Booklet finishing:** Automated folding functionality in optional finisher lets you create tri-fold documents or booklet-style ones with saddle-stitched binding, plus all the options of the staple hole punch finisher.

### The Lexmark user experience

Your users will appreciate the consistent user interface of Lexmark devices. And every Lexmark device is right at home as part of Lexmark managed print services (MPS), as well as the worldwide Lexmark service network that backs up the MX910 Series for maximum uptime and fewer service worries.

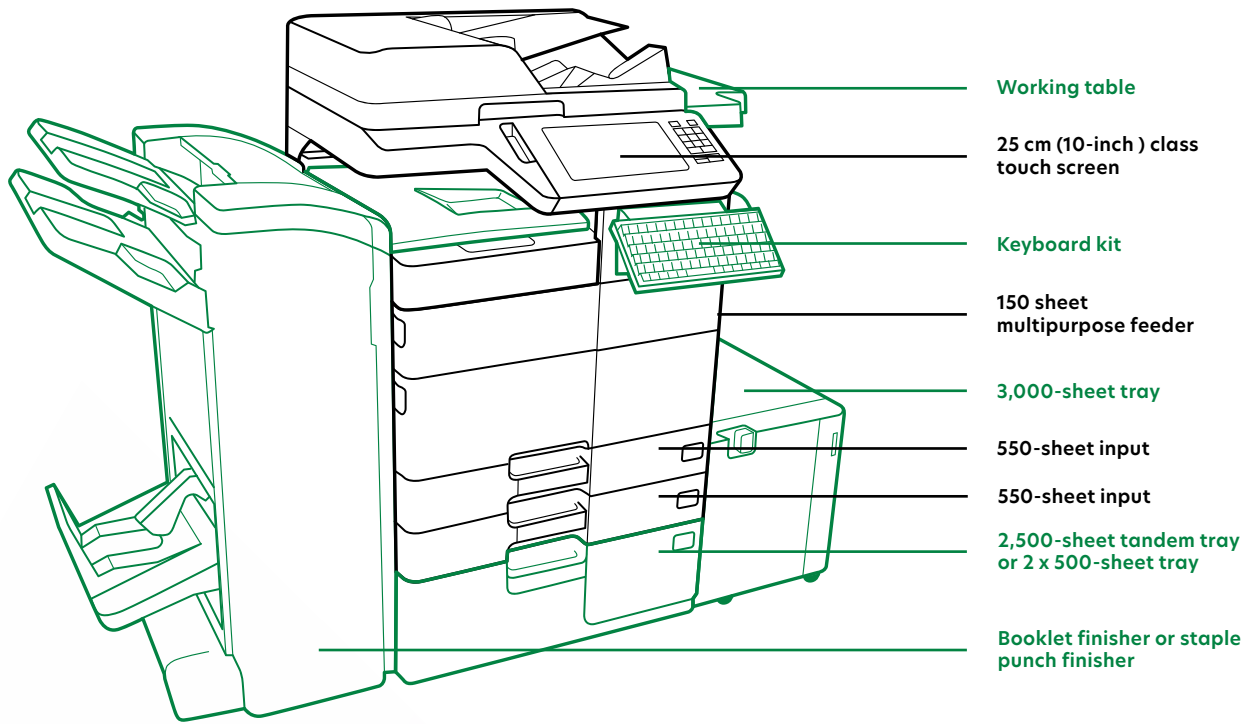
## MX910 series printer features

Product specifications	Lexmark MX910de	Lexmark MX911dte	Lexmark MX912dxe
<b>Printing</b>			
Display	Lexmark e-Task 10-inch (25 cm) class color touch screen		
Print Speed: Up to <sup>2</sup>	Black: 45 ppm	Black: 55 ppm	Black: 65 ppm
Time to First Page: As fast as	Black: < 5.6 seconds	Black: < 5.5 seconds	Black: < 5.2 seconds
Print Resolution	Black: 1200 Image Quality, 1200 x 1200 dpi, 2400 Image Quality, 600 x 600 dpi		
Memory / Processor	Standard: 1024 MB / Maximum: 3072 MB / Dual Core, 800 MHz		
Hard Disk	Included in configuration		
Recommended Monthly Page Volume <sup>5</sup>	15000 - 50000 pages		
Maximum Monthly Duty Cycle: Up to <sup>4</sup>	200000 pages per month	300000 pages per month	
<b>Copying</b>			
Copy Speed: Up to <sup>2</sup>	Black: 45 cpm	Black: 55 cpm	Black: 65 cpm
Time to First Copy: As fast as	Black: 5.8 seconds		Black: 5.6 seconds
<b>Scanning</b>			
Scanner Type / ADF Scan	Flatbed scanner with ADF / DADF (single pass Duplex)		
A4/Ltr Duplex Scan Speed: Up to	Black: 140 sides per minute / Color: 140 sides per minute		
A4/Ltr Simplex Scan Speed: Up to	Black: 80 sides per minute / Color: 80 sides per minute		
<b>Faxing</b>			
Modem Speed	ITU T.30, V.34 Half-Duplex, 33.6 Kbps		
<b>Supplies</b>			
Laser Cartridge Yields (up to) <sup>1</sup>	32,500-page High Yield Cartridge		
Photoconductor Estimated Yield: Up to <sup>3</sup>	125000 pages, based on 3 average letter/A4-size pages per print job and ~ 5% coverage		
Cartridge(s) Shipping with Product <sup>1</sup>	21,000-page Starter Toner Cartridge		
<b>Paper Handling</b>			
Included Paper Handling	250-Sheet Output Bin, 150-Sheet Multipurpose Feeder, 2 x 500-Sheet Input	250-Sheet Output Bin, 150-Sheet Multipurpose Feeder, 2 x 500-Sheet Input, 2 x 500-Sheet Tray	250-Sheet Output Bin, 150-Sheet Multipurpose Feeder, 2 x 500-Sheet Input, 2500-Sheet Tandem Tray
Optional Paper Handling	Staple Punch Finisher, Inline Stapler, 2500-Sheet Tandem Tray, 3000-Sheet Tray, Booklet Finisher, 2 x 500-Sheet Tray	Staple Punch Finisher, Inline Stapler, 3000-Sheet Tray, Booklet Finisher	Staple Punch Finisher, 3000-Sheet Tray, Booklet Finisher
Paper Input Capacity: Up to	Standard: 1150 pages 20 lb or 75 gsm bond / Maximum: 6650 pages 20 lb or 75 gsm bond	Standard: 2150 pages 20 lb or 75 gsm bond / Maximum: 5150 pages 20 lb or 75 gsm bond	Standard: 3650 pages 20 lb or 75 gsm bond / Maximum: 6650 pages 20 lb or 75 gsm bond
Paper Output Capacity: Up to	Standard: 250 pages 20 lb or 75 gsm bond / Maximum: 3500 pages 20 lb or 75 gsm bond		
Media Types Supported	Card Stock, Envelopes, Labels, Plain Paper, Transparencies, Refer to the Card Stock & Label Guide.		
Media Sizes Supported	10 Envelope, 7 3/4 Envelope, 9 Envelope, A3, A4, A5, B5 Envelope, C5 Envelope, DL Envelope, Executive, Folio, JIS-B4, JIS-B5, Ledger, Legal, Letter, Statement, Universal, Super Tabloid (12 x 18"), Oficio, A6, SRA3		
<b>General Information</b>			
Standard Ports	One Internal Card Slot, USB 2.0 Specification Hi-Speed Certified (Type B), Gigabit Ethernet (10/100/1000), Front USB 2.0 Specification Hi-Speed Certified port (Type A), Two Rear USB 2.0 Specification Hi-Speed Certified ports (Type A)		
Optional Network Ports / Optional Local Ports	Internal MarkNet N8350 802.11b/g/n Wireless / Internal RS-232C serial, Internal 1284-B Bidirectional Parallel		
Noise Level: Operating	Print: 52 dBA / Copy: 53 dBA / Scan: 57 dBA	Print: 53 dBA / Copy: 54 dBA / Scan: 56 dBA	Print: 55 dBA / Copy: 55 dBA / Scan: 56 dBA
Specified Operating Environment	Altitude: 0 - 2500 Meters (8,200 Feet), Humidity: 15 to 85% Relative Humidity, Temperature: 10 to 30°C (50 to 86°F)		
Limited Warranty - See Statement of Limited Warranty	1-Year Onsite Service, Next Business Day		
Size (in. - H x W x D) / Weight (lb.)	35.8 x 24.2 x 27.4 in. / 209.4 lb.	45.4 x 24.2 x 27.4 in. / 266.8 lb.	45.4 x 24.2 x 27.4 in. / 264.6 lb.

<sup>1</sup>Average standard page yield value declared in accordance with ISO/IEC 19752. <sup>2</sup>Print and copy speeds measured in accordance with ISO/IEC 24734 and ISO/IEC 24735 respectively (ESAT). For more information see: [www.lexmark.com/ISOspeeds](http://www.lexmark.com/ISOspeeds). <sup>3</sup>Actual Yield may vary based on other factors such as device speed, paper size and feed orientation, toner coverage, tray source, percentage of black-only printing and average print job complexity. <sup>4</sup>"Maximum Monthly Duty Cycle" is defined as the maximum number of pages a device could deliver in a month using a multishift operation. This metric provides a comparison of robustness in relation to other Lexmark printers and MFPs. <sup>5</sup>"Recommended Monthly Page Volume" is a range of pages that helps customers evaluate Lexmark's product offerings based on the average number of pages customers plan to print on the device each month. Lexmark recommends that the number of pages per month be within the stated range for optimum device performance, based on factors including: supplies replacement intervals, paper loading intervals, speed, and typical customer usage.

**This is a Class A device according to the FCC Rules and international electromagnetic emissions standards. This device is not intended for use in residential or domestic environments due to potential interference to radio communications.**

## MX910 series printer features



- Standard
- Optional

© 2015 Lexmark and the Lexmark logo are trademarks of Lexmark International, Inc., registered in the United States and/or other countries. All other trademarks are the property of their respective owners. ENERGY STAR® is a U.S. registered mark.

AirPrint and the AirPrint logo are trademarks of Apple Inc.