



C4150

Small to medium workgroup color laser printer



Affordable in-house color production



Productivity boosting speed, functionality and reliability



Workflow smoothing solutions and flexibility



Sensitive data stays secure



Cut costs while being environmentally responsible

Get more power and save money



Save time with software and solutions. Stay productive with print speeds that are fast enough to keep work moving. Look professional with gorgeous color.

- ▶ Brilliant color in an affordable, space-saving device
- ▶ Up to 50 pages per minute† print speeds
- ▶ Spend less time on supplies with high-yield toner capacity and shake-free science
- ▶ Expandable universal input trays

Speed for productivity with the easy to use reliability you need

Productivity stays high when even large color print jobs complete quickly. With print speeds of up to 50 ppm you'll get more jobs done, faster.

Minimize wait time with C4150's ability to print a single color page in as little as 5.5 seconds. Convenient direct printing from flash drives, network drives or online servers save you even more time

Power through complex print jobs with large, high-resolution photos and graphics. The powerful print controller has the processing power you need built-in.

Work from wherever, print where you want with mobile printing from iOS, Android and Windows Mobile devices and optional wireless and NFC direct mobile printing from smartphones and tablets. The C4150 is also Google Cloud Print and Apple Airprint 1.5 and Mopria ready.

Better access for all with drawers and paper guides that move effortlessly, and standard headphone jack and talk-back features to help users with limited vision engage with the device‡.

† Print speeds measured in accordance with ISO/IEC 24735 respectively (ESAT). For more information see: www.lexmark.com/ISOspeeds.
‡ Meets advanced Section 508 and European Standard EN 301 549 guidelines for accessibility.



Look sharp for less with gorgeous color

Color so accurate and affordable, you can print color in-house.

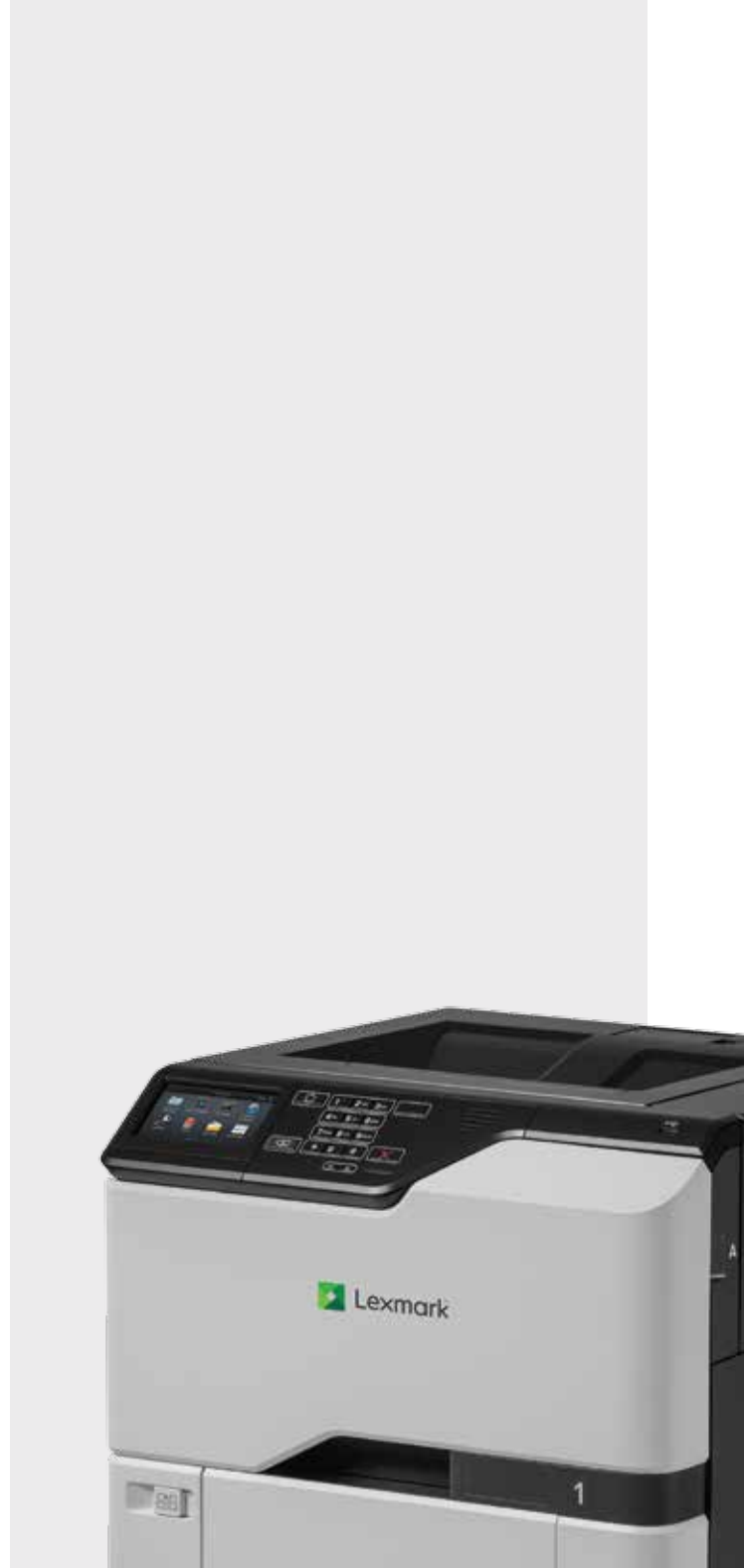
You can match your brand colors and have accurate color output without having to pay a premium. Lexmark Color Replacement combines spot color replacement and RGB replacement for precision matching of critical colors. PANTONE® calibration and embedded color sample pages help you nail perfect color at the design stage. Lexmark's 4800 color quality is ultra-sharp even at full speed.

More media choices From some of the thickest media available in cut sheet to print signage or booklet covers—to tissue-thin paper and all the vinyl, labels, cardstock, envelopes, and banners in between, the C4150 makes you shine.

Less hands-on hassle with a high input capacity with up to 2,300 sheets of input capacity, paper is less likely to run out, so you don't have to wait or intervene to finish printing.

Improve your productivity with the C4150 that keeps on running

- ▶ Toner cartridges yield up to 16,000 pages
- ▶ Photoconductor lasts up to 150,000 pages
- ▶ No shake Unison™ Toner cartridges mean perfect prints to the last page without interruption



Workflow smoothing solutions and flexibility

Bridge the gap between your paper documents and software systems with the fully-configurable device-based apps. The built in productivity solutions future-proof your investment.

Standard device-based apps shipping with this series include[§]:



Google Drive

The easy way to print shared Google docs on demand.



Customer Support

Send email alerts to help desk or service providers to request support. Pertinent data about the device can be included in the automated email.



QR Code Generator

Generate a Quick Response (QR) Code and display it on the eTask screen, making it easy to find the printer on your tablet or smartphone.



Forms and Favorites

Keep frequently used forms and documents easy to access and save money by eliminating preprinted forms



See the possibilities with our intuitive interface

Minimize the need for training with the familiar modern tablet-like capabilities of our eTask interface on a bright 4.3-inch class color touch screen. Use swipe and touch gestures to navigate the intuitive interface to access convenient features, including:

- ▶ Preview your entire print job
- ▶ Print Microsoft Office and other file types from USB or mobile devices
- ▶ Customize shortcuts and bookmarks
- ▶ Realize your return on investment fast with true integration
- ▶ Access corporate address book for quick document routing
- ▶ Enable user tracking, accounting and permissions for cost and print management

[§] Additional device-based apps may ship with the device and additional apps can be added.

C4150



1. Intuitive color touch screen with new eTask interface A bright 4.3-inch screen uses familiar swipe and touch gestures, minimizing training time to get users up to speed.



2. Direct printing Microsoft Office files and other document and image types print right from flash drives. You can even preview jobs on the eTask screen prior to printing.



3. Unison™ Toner system with long-life supplies Unison™ Toner delivers consistently outstanding image quality plus long-life system reliability and amazing sustainability in a high-yield, no-shake design.



4. Software solutions Combine device based capabilities with additionally purchased Lexmark fleet management tools and your existing software and technical infrastructure to future-proof your investment in Lexmark color laser technology.



5. Expandable input Print on multiple paper types and boost input capacity to 2,300 sheets.

Sensitive data stays secure

Authorize and authenticate who and what gets access to your network along with remote monitoring and management.

Protect your device on all fronts with port and connection filtering to limit active access and encryption and wiping of the optional hard disk to secure sensitive print job data. Digital signatures on firmware updates keep hackers at bay.

Authentication to fit your protocols from badge readers, PIN or passwords. Once users are authenticated, the connection to your network is fully secure.

Put a stop to data leaks on the optional hard disk with 256-bit AES encryption and encryption keys stored in the printer's memory, not the hard disk. Data is almost impossible to read if the hard drive is removed.

Cut costs while being environmentally responsible

Save power with multiple power saving modes. Sleep mode uses less than 3 watts between jobs. Hibernate mode uses less than half a watt during scheduled on/off periods.

Save paper and toner with no hassles. Standard double-sided printing, printing images a lighter shade with the ColorSaver feature that still leaves text dark and readable and Lexmark's Eco Settings solution are just some of the eco-friendly options.

Smarter toner saves energy and more. Lexmark Unison™ Toner fuses at a lower temperature that requires less energy. Through the free and easy Lexmark Cartridge Collection Program (LCCP), ship empty cartridges back to our recycling centers for sustainable recycling.



Lexmark Sustainability

For Lexmark, commitment to the environment isn't a marketing tagline, it's a core value backed up by real action and results. We are forward thinking, innovative, and driven to sustain a healthy planet for generations to come. For our customers and partners we bring this passion, our leading technology and a deep understanding of industry-specific business processes to continuously improve their efficiency as well as our own.

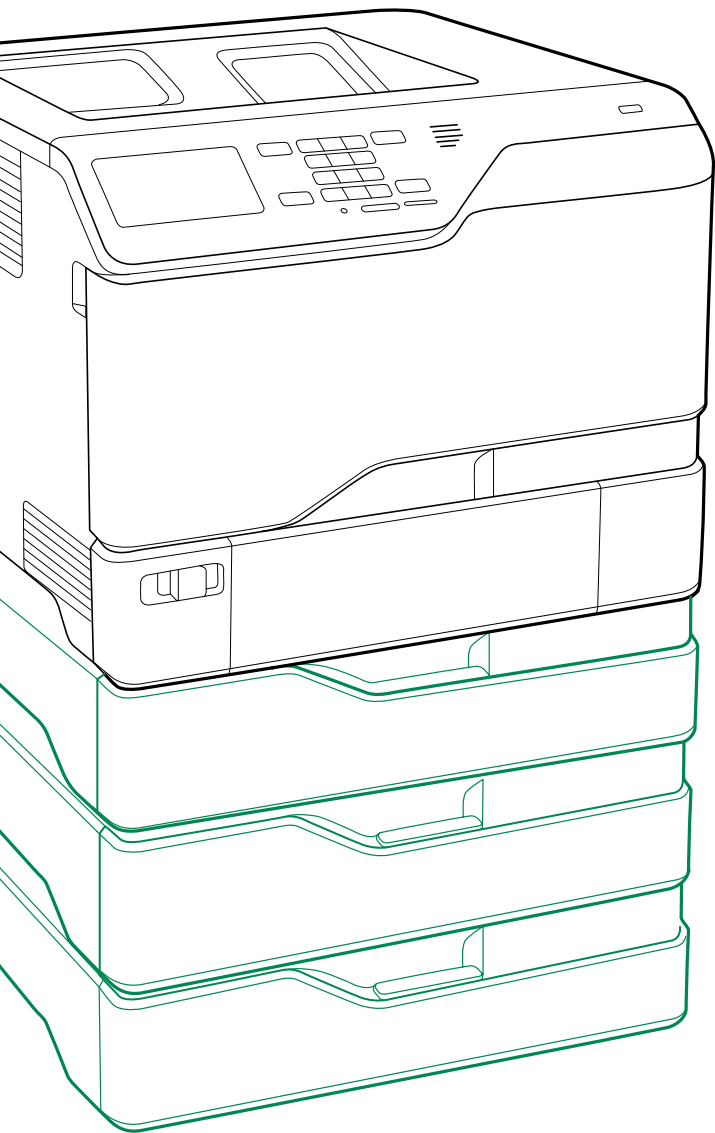
Lexmark products meet globally recognized environmental standards¹.

- ▶ Energy Star™
- ▶ Blue Angel compliant
- ▶ EPEAT™

For more information on Lexmark's sustainability initiatives, visit csr.lexmark.com

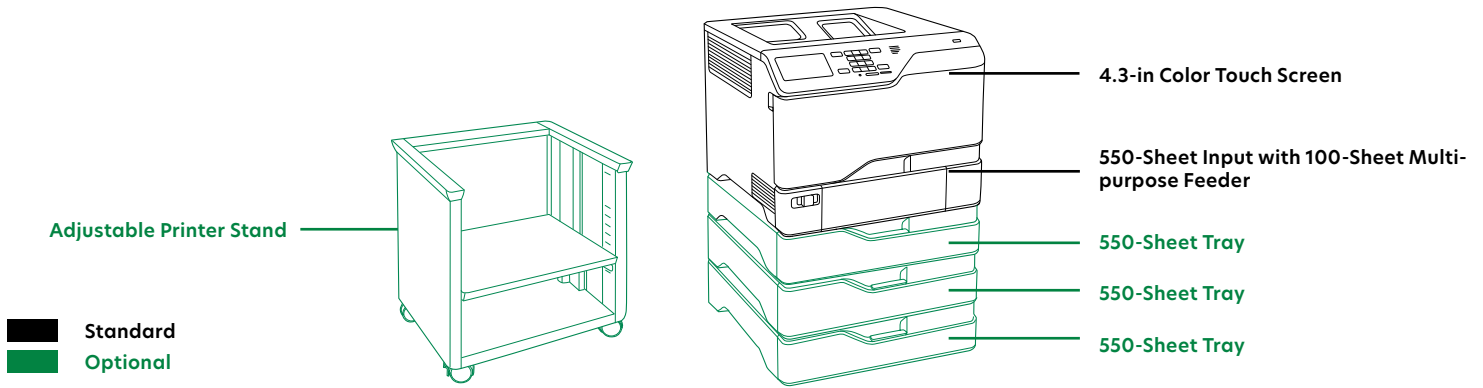
¹ Energy Star V2.0 for Imaging Equipment (EU RoHS and Section 4.3.1.1 of IEEE 1680.2-2).

Ordering information



P/N 40C9054	Hardware Lexmark C4150
P/N 24B6519 24B6516 24B6517 24B6518 74C0ZK0 74C0ZV0 74C0W00	Laser Toner/Print Cartridge C4150 Black Toner Cartridge C4150 Cyan Toner Cartridge C4150 Magenta Toner Cartridge C4150 Yellow Toner Cartridge Black Return Program Imaging Unit Color (CMY) Return Program Imaging Kit Waste Toner Bottle
P/N 40C2100	Paper Handling 550-Sheet Tray
P/N 40C2300	Furniture Adjustable Stand
P/N 57X9020 27X0400 57X9801 57X9814 57X9815 57X9812 57X9810	Memory Options 2GB x32 DDR3 RAM Hard Disk (320+GB) 256MB Flash Memory Card Korean Font Card Japanese Font Card S. Chinese Font Card T. Chinese Font Card
P/N 40C9201 40C9200 40C9202 57X0300 57X0301	Application Solutions Card for IPDS Forms and Bar Code Card Card for PRESCRIBE Front Contact Authentication Module Front Contactless Authentication Module
P/N 1021294 27X0803 SPD0001 57X7025	Connectivity 2-meter USB cable (RoHS) MarkNet N8360 802.11 Wireless w/NFC Surge Protective Device, 110-120V Voice Guidance Kit
P/N 41X0554 41X0252 41X0374	User Replaceable Parts Fuser Maintenance Kit 110-120V Fuser 110-120V Separator Bracket Assembly
P/N 40X9929	Service Parts Image Transfer Unit

Lexmark C4150



Product specifications	Lexmark C4150
Printing	
Display	Lexmark e-Task 4.3-inch (10.9 cm) color touch screen
Print Speed: Up to ⁵	Black: 50 ppm / Color: 50 ppm
Time to First Page: As fast as	Black: 5.0 seconds / Color: 5.5 seconds
Print Resolution	Black: 1200 x 1200 dpi, 4800 Color Quality (2400 x 600 dpi) / Color: 1200 x 1200 dpi, 4800 Color Quality (2400 x 600 dpi)
Memory	Standard: 1024 MB / Maximum: 3072 MB
Hard Disk	Option available
Recommended Monthly Page Volume ²	2000 - 20000 pages
Maximum Monthly Duty Cycle: Up to ³	150000 pages per month
Supplies⁷	
Laser Cartridge Yields (up to) ¹	10,000-page Color (CMY) High Yield Cartridges, 16,000-page Black High Yield Cartridge
Imaging Unit Estimated Yield: Up to ⁶	150000 pages, based on 3 average letter/A4-size pages per print job and ~ 5% coverage
Cartridge(s) Shipping with Product ⁸	7,000-page Black and Color (CMYK) Return Program Toner Cartridges
Paper Handling	
Included Paper Handling	550-Sheet Input, 100-Sheet Multipurpose Feeder, Integrated Duplex, 300-Sheet Output Bin
Optional Paper Handling	550-Sheet Tray
Paper Input Capacity: Up to	Standard: 650 pages 20 lb or 75 gsm bond / Maximum: 2300 pages 20 lb or 75 gsm bond
Paper Output Capacity: Up to	Standard: 300 pages 20 lb or 75 gsm bond / Maximum: 300 pages 20 lb or 75 gsm bond
Media Types Supported	Card Stock, Envelopes, Paper Labels, Plain Paper, Vinyl Labels, Refer to the Card Stock & Label Guide., Banner Paper
Media Sizes Supported	10 Envelope, 7 3/4 Envelope, 9 Envelope, A4, A5, B5 Envelope, C5 Envelope, DL Envelope, Executive, Folio, JIS-B5, Legal, Letter, Statement, Universal, Oficio, A6
General Information⁴	
Standard Ports	One Internal Card Slot, USB 2.0 Specification Hi-Speed Certified (Type B), Gigabit Ethernet (10/100/1000), Front USB 2.0 Specification Hi-Speed Certified Port (Type A), Rear Hi-Speed USB Port Compatible with USB 2.0 Specification (Type A)
Optional Network Ports	Internal MarkNet N8360 802.11b/g/n Wireless, NFC
Noise Level: Operating	Print: 53 dBA
Specified Operating Environment	Humidity: 15 to 80% Relative Humidity, Temperature: 10 to 32°C (50 to 90°F), Altitude: 0 - 2896 Meters (9,500 Feet)
Size (in. - H x W x D) / Weight (lb.)	16.4 x 18.7 x 19.65 in. / 80 lb.

¹Yield at approximately 5% print coverage per color. ²Recommended Monthly Page Volume" is a range of pages that helps customers evaluate Lexmark's product offerings based on the average number of pages customers plan to print on the device each month. Lexmark recommends that the number of pages per month be within the stated range for optimum device performance, based on factors including: supplies replacement intervals, paper loading intervals, speed, and typical customer usage. ³Maximum Monthly Duty Cycle" is defined as the maximum number of pages a device could deliver in a month using a multishift operation. This metric provides a comparison of robustness in relation to other Lexmark printers and MFPs. ⁴Printers are sold subject to certain license/agreement conditions. See www.lexmark.com/printerlicense for details. ⁵Print and copy speeds measured in accordance with ISO/IEC 24734 and ISO/IEC 24735 respectively (ESAT). For more information see: www.lexmark.com/ISOspeeds. ⁶Actual Yield may vary based on other factors such as device speed, paper size and feed orientation, toner coverage, tray source, percentage of black-only printing and average print job complexity. ⁷Product functions only with replacement cartridges designed for use in a specific geographical region. See www.lexmark.com/regions for more details. ⁸ Average continuous black or continuous composite CMY declared cartridge yield up to this number of standard pages in accordance with ISO/IEC 19798.